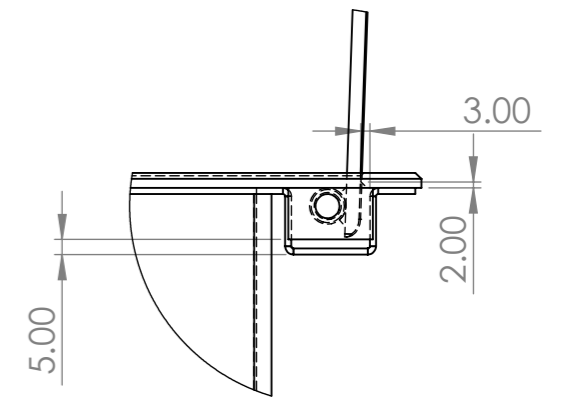
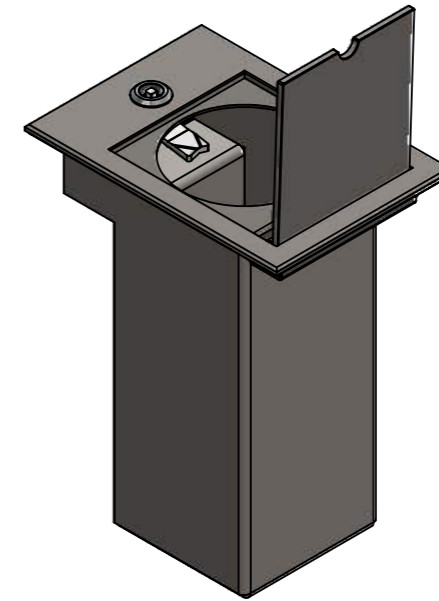
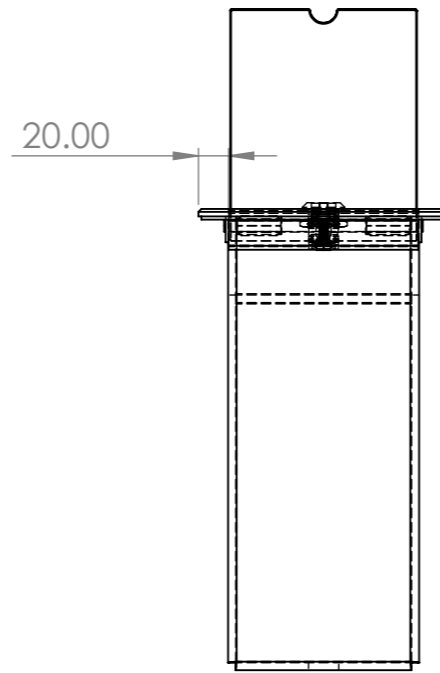
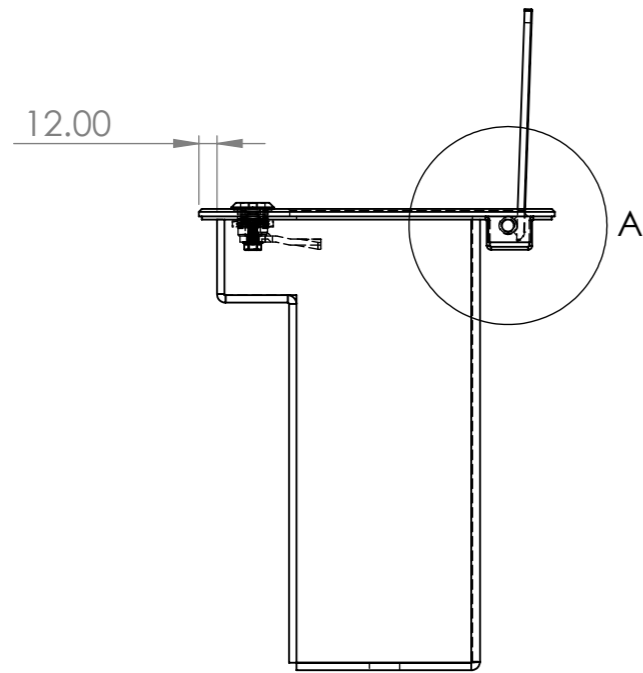
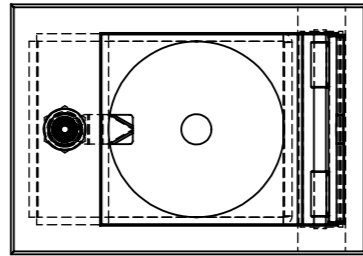


8 7 6 5 4 3 2 1

F

F



E

E

D

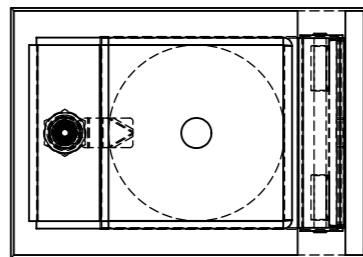
D

C

C

B

B



DETAIL A
SCALE 2 : 5

UNLESS OTHERWISE SPECIFIED: DIMENSIONS ARE IN MILLIMETERS SURFACE FINISH: TOLERANCES: LINEAR: ANGULAR:			FINISH:		DEBURR AND BREAK SHARP EDGES		DO NOT SCALE DRAWING		REVISION		
DRAWN			NAME		SIGNATURE		DATE		TITLE: 114.3 Bollard socket		
CHK'D									DWG NO. 114.3 Socket Assembly		
APPV'D									A3		
MFG									SCALE:1:5		
Q.A							MATERIAL: Stainless Steel		SHEET 1 OF 6		
							WEIGHT: 8562.51				

8 7 6 5 4 3 2 1

A

A

8 7 6 5 4 3 2 1

F

F

E

E

D

D

C

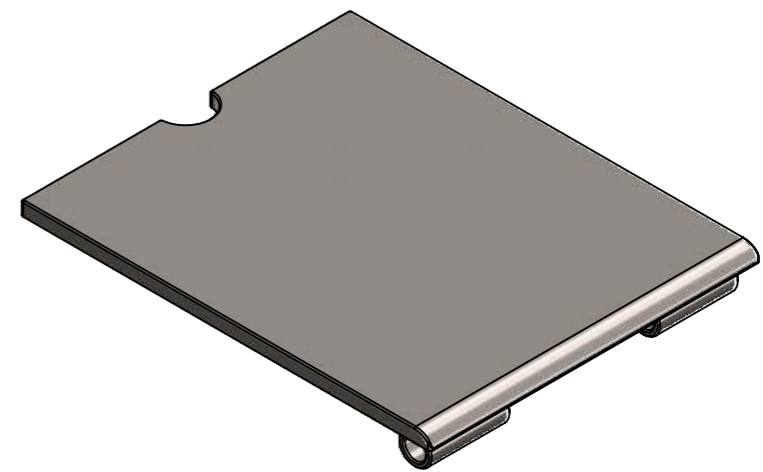
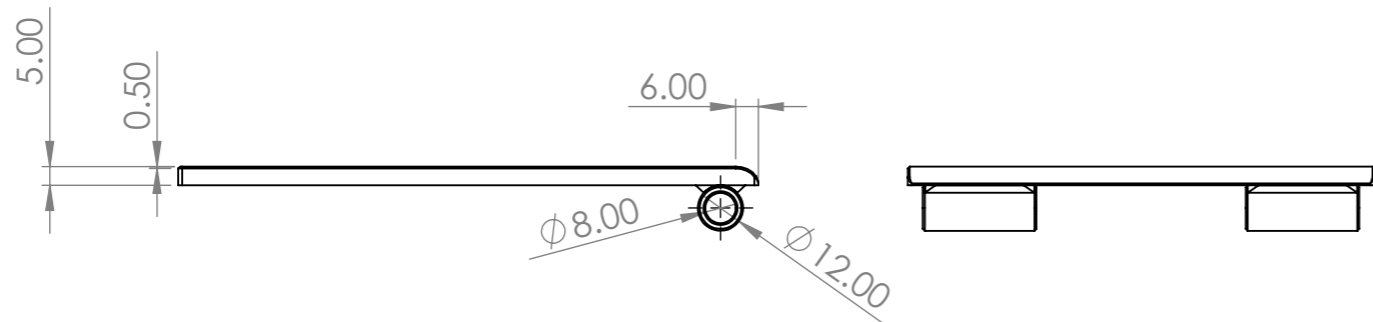
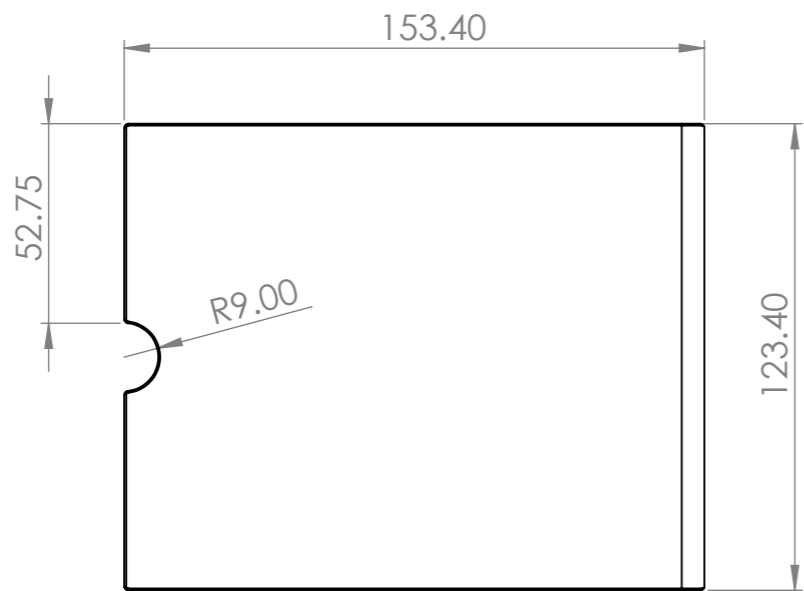
C

B

B

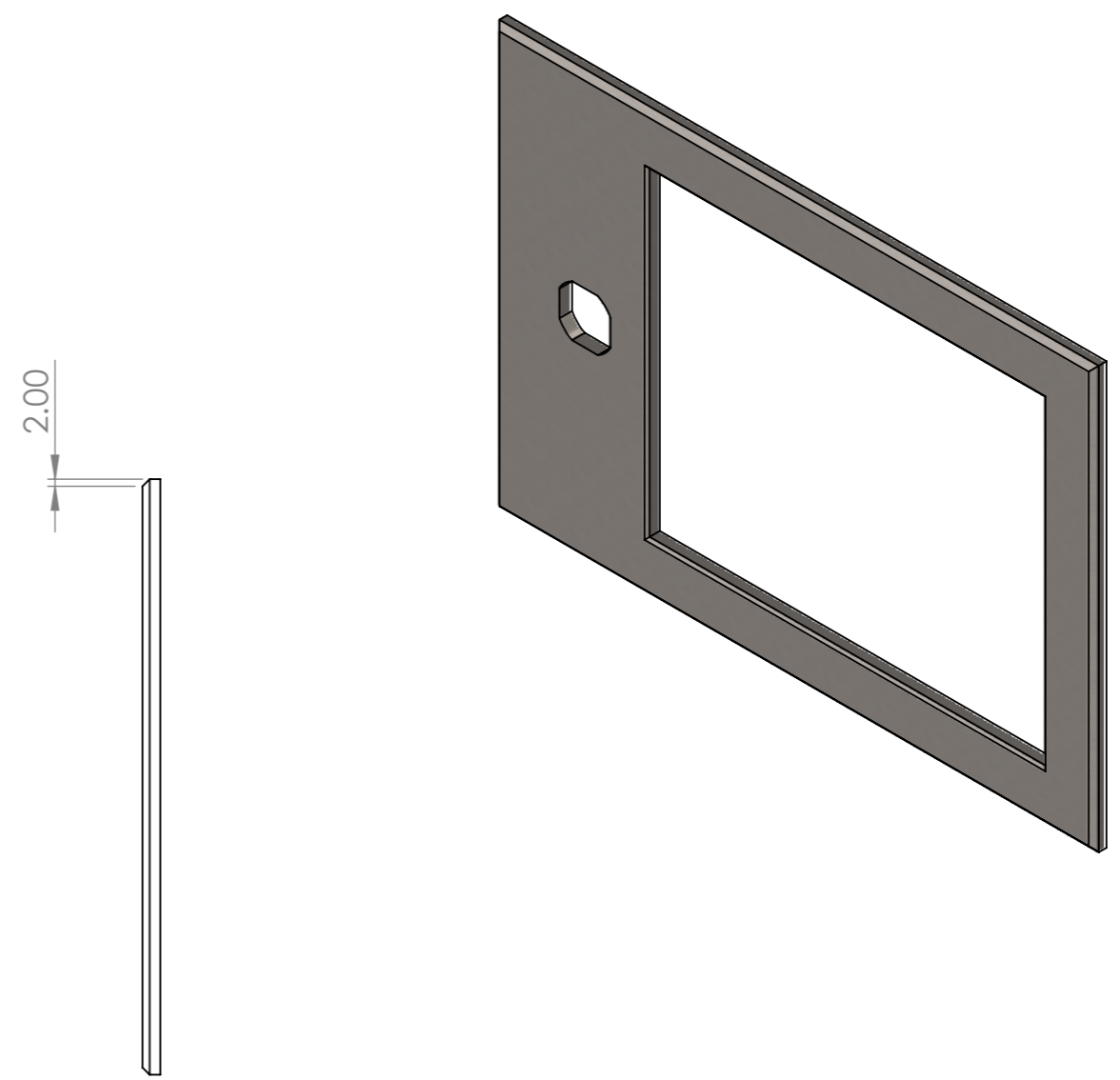
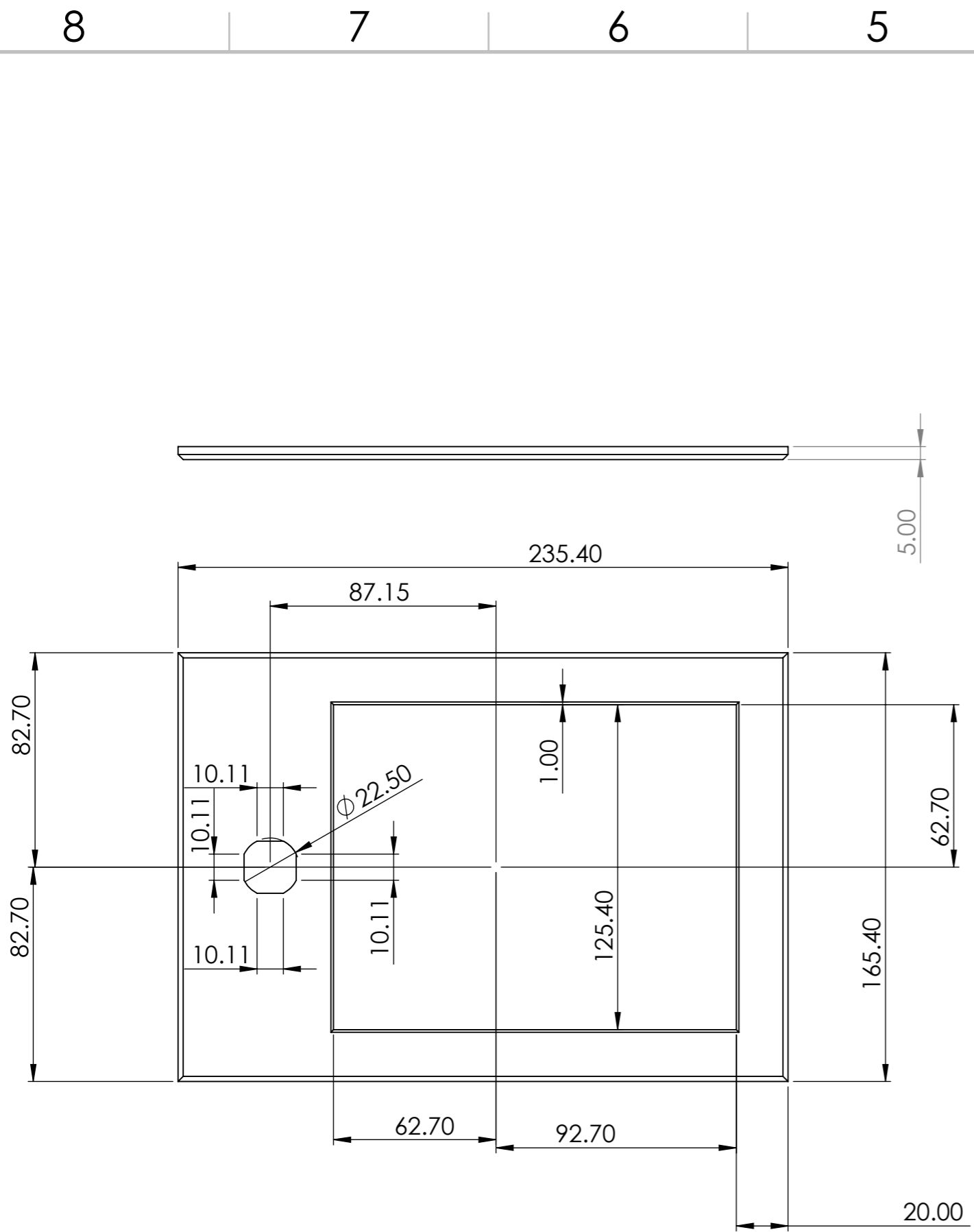
A

A



UNLESS OTHERWISE SPECIFIED: DIMENSIONS ARE IN MILLIMETERS SURFACE FINISH: TOLERANCES: LINEAR: ANGULAR:			FINISH:		DEBURR AND BREAK SHARP EDGES		DO NOT SCALE DRAWING		REVISION			
							TITLE: 114.3mm Flip Lip					
							DWG NO. 114.3 Socket Assembly				A3	
							MATERIAL: Polished Stainless Steel		SCALE:1:5		SHEET 2 OF 6	
							WEIGHT: 8562.51					
NAME	SIGNATURE	DATE										
DRAWN												
CHK'D												
APPV'D												
MFG												
Q.A												

8 7 6 5 4 3 2 1



UNLESS OTHERWISE SPECIFIED: DIMENSIONS ARE IN MILLIMETERS SURFACE FINISH: TOLERANCES: LINEAR: ANGULAR:				FINISH:		DEBURR AND BREAK SHARP EDGES		DO NOT SCALE DRAWING		REVISION	
								TITLE: 114.3mm Ground plate			
DRAWN						MATERIAL: Polished Stainless steel		DWG NO. 114.3 Socket Assembly		A3	
CHK'D						WEIGHT: 8562.51		SCALE: 1:5		SHEET 3 OF 6	
APPV'D											
MFG											
Q.A											

8 7 6 5 4 3 2 1

F

F

E

E

D

D

C

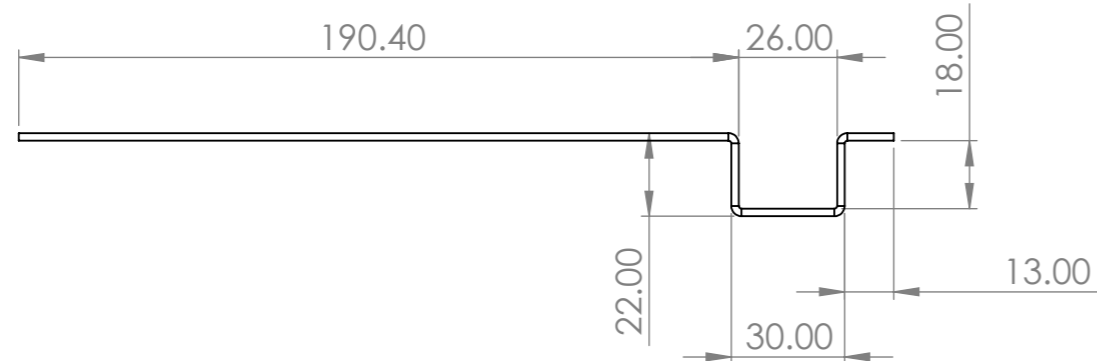
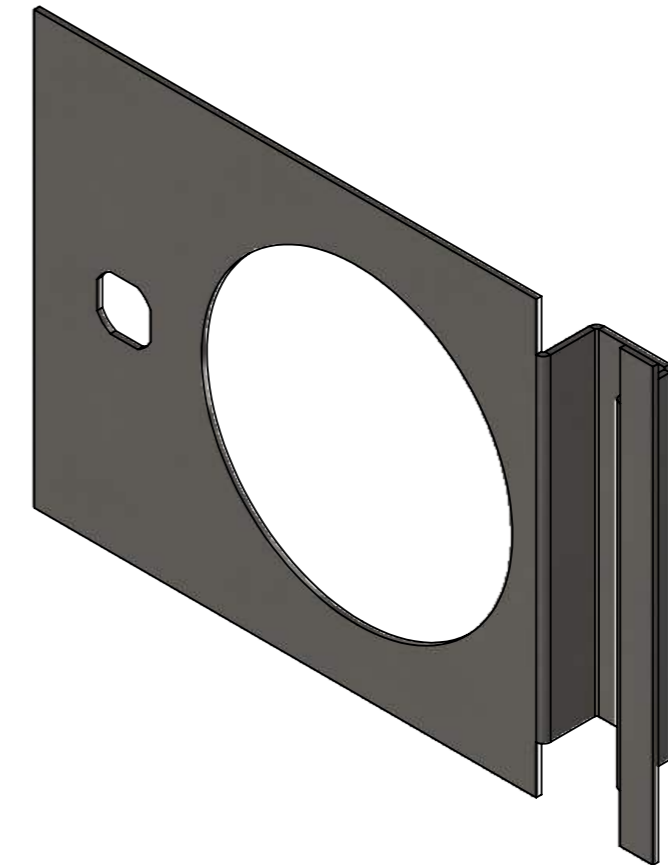
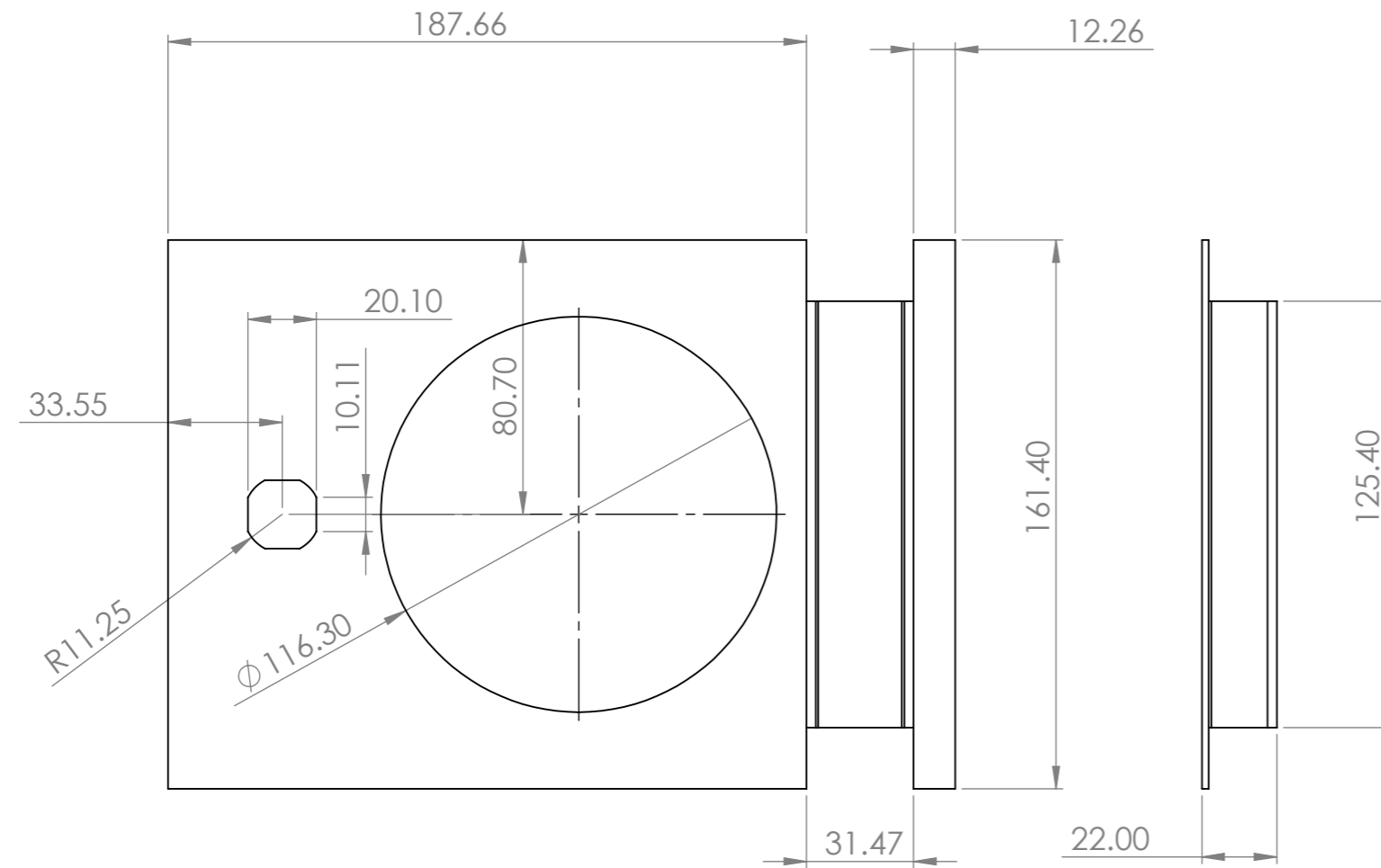
C


B

B

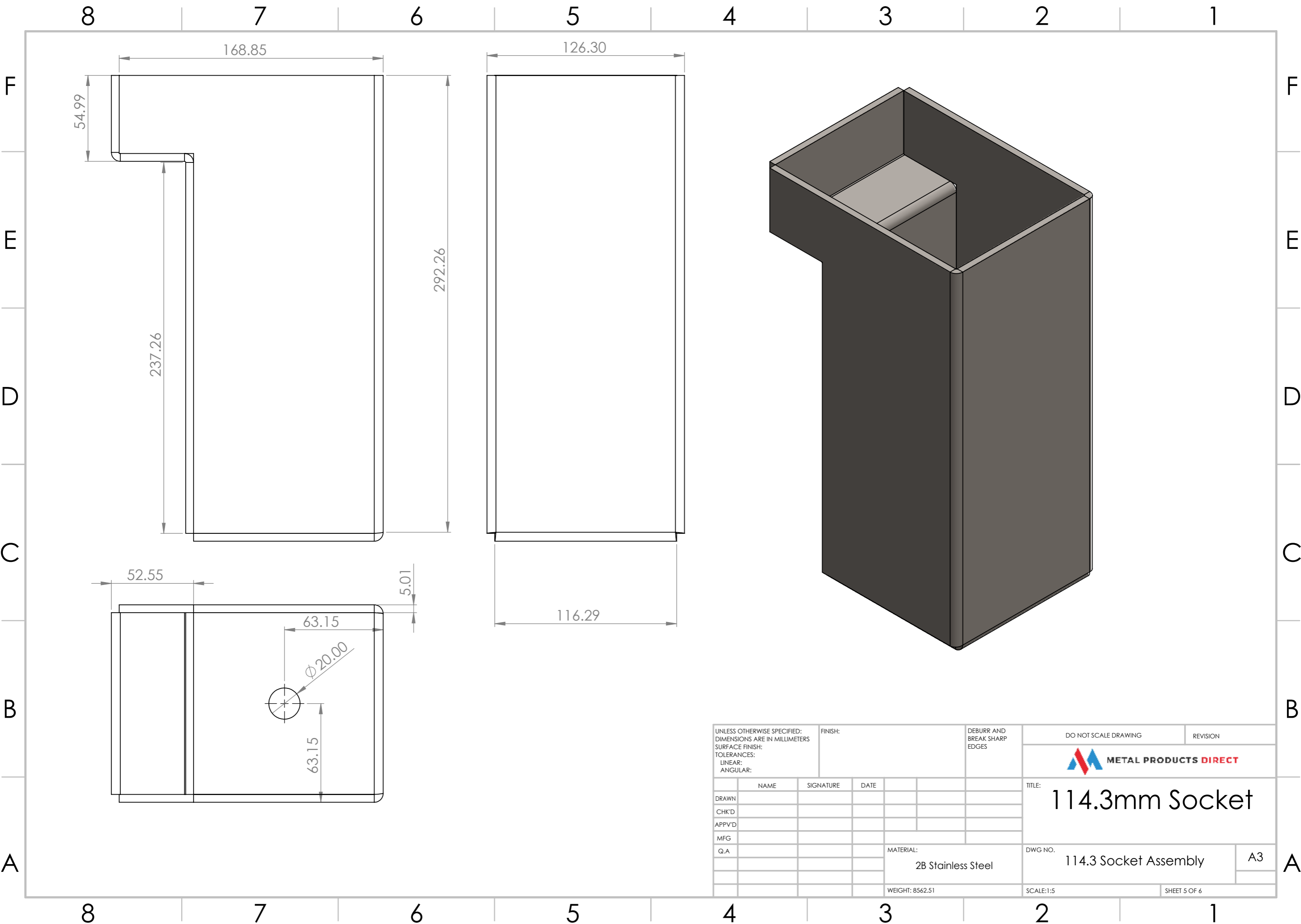
A

A



UNLESS OTHERWISE SPECIFIED: DIMENSIONS ARE IN MILLIMETERS				FINISH:		DEBURR AND BREAK SHARP EDGES		DO NOT SCALE DRAWING		REVISION	
SURFACE FINISH:											
TOLERANCES:											
LINEAR:								TITLE: 114.3mm Guide Plate			
ANGULAR:								DWG NO. 114.3 Socket Assembly			
DRAWN				NAME		SIGNATURE		DATE		A3	
CHK'D											
APPV'D											
MFG											
Q.A								MATERIAL: 2B Stainless Steel		SCALE: 1:5	
								WEIGHT: 8562.51		SHEET 4 OF 6	

8 7 6 5 4 3 2 1



UNLESS OTHERWISE SPECIFIED: DIMENSIONS ARE IN MILLIMETERS SURFACE FINISH: TOLERANCES: LINEAR: ANGULAR:			FINISH:		DEBURR AND BREAK SHARP EDGES		DO NOT SCALE DRAWING		REVISION		
							TITLE: 114.3mm Socket				
DRAWN			NAME		SIGNATURE		DATE		DWG NO. 114.3 Socket Assembly		
CHK'D									A3		
APPV'D									SCALE: 1:5		
MFG									SHEET 5 OF 6		
Q.A							MATERIAL: 2B Stainless Steel		WEIGHT: 8562.51		

8 7 6 5 4 3 2 1

F

F

E

E

D

D

C

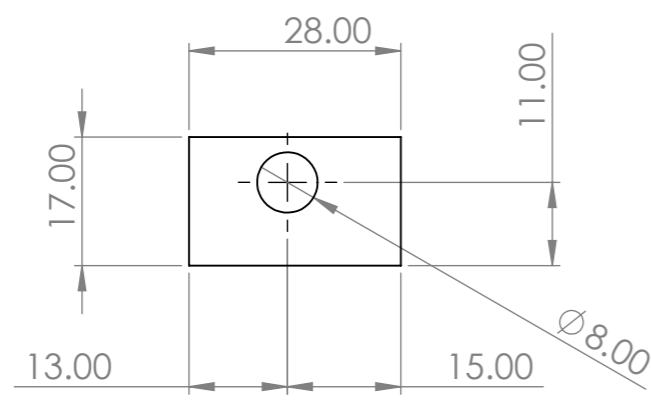
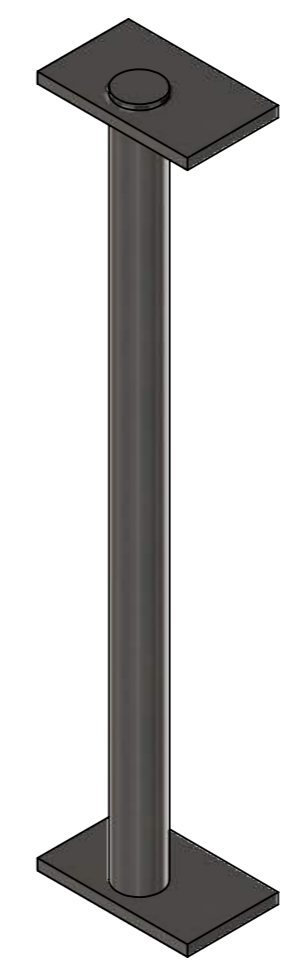
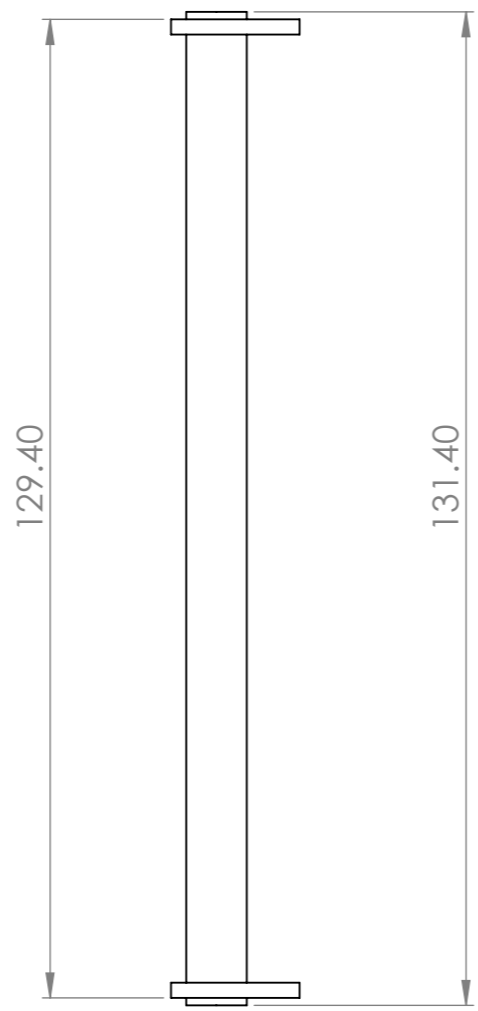
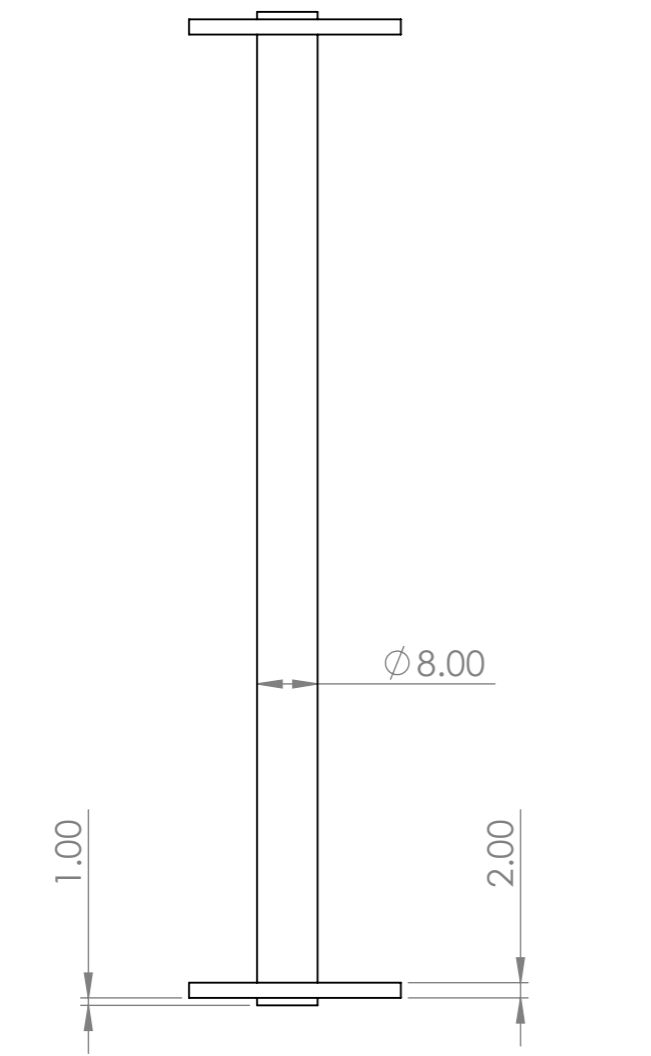
C


B

B

A

A



UNLESS OTHERWISE SPECIFIED: DIMENSIONS ARE IN MILLIMETERS SURFACE FINISH: TOLERANCES: LINEAR: ANGULAR:			FINISH:		DEBURR AND BREAK SHARP EDGES		DO NOT SCALE DRAWING		REVISION		
											
							TITLE: 114.3mm Hinge				
DRAWN			NAME		SIGNATURE		DATE		DWG NO. 114.3 Socket Assembly		
CHK'D									A3		
APPV'D									SCALE:1:5		
MFG									SHEET 6 OF 6		
Q.A							MATERIAL: 2B Stainless steel				
							WEIGHT: 8562.51				

8 7 6 5 4 3 2 1