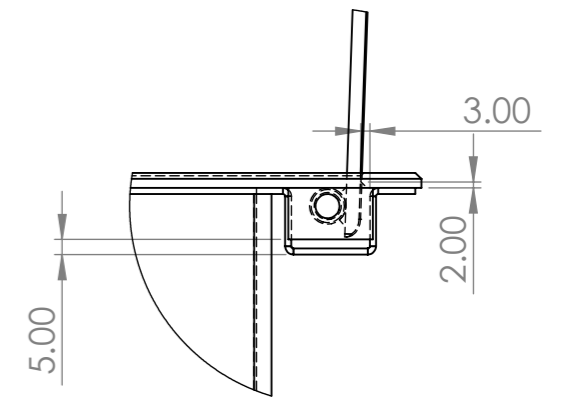
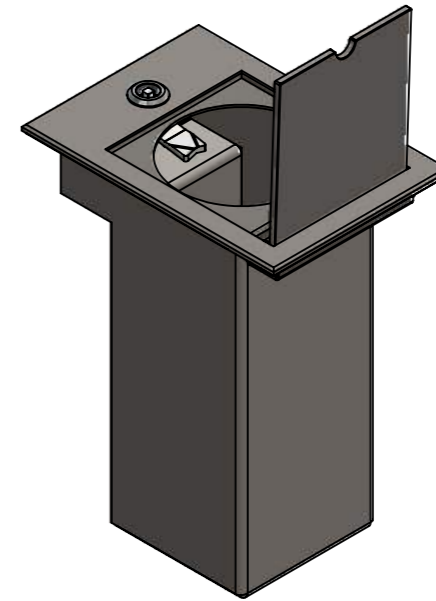
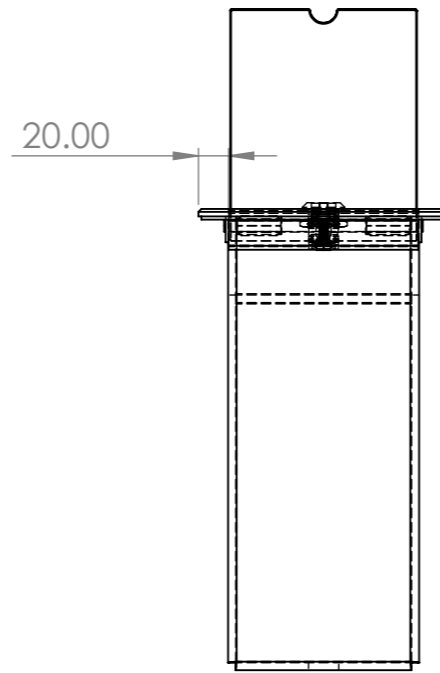
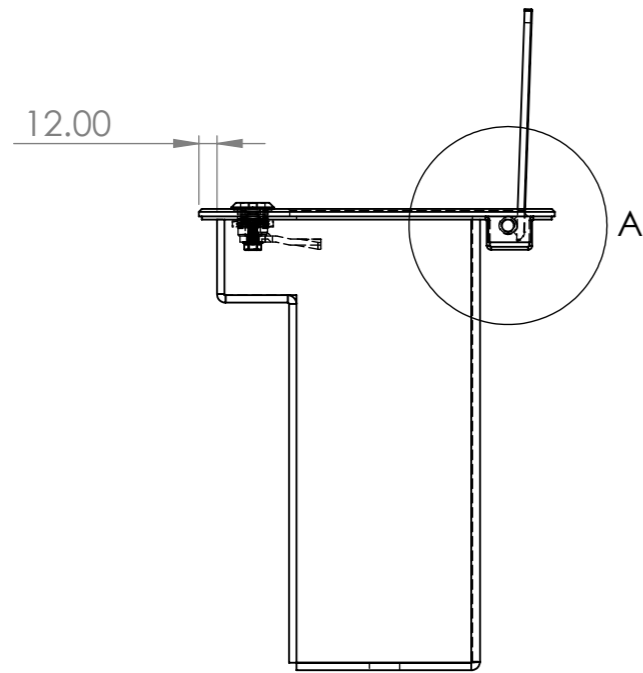
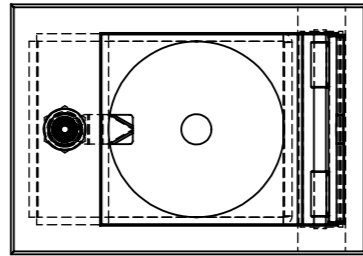


8 7 6 5 4 3 2 1

F

F



D

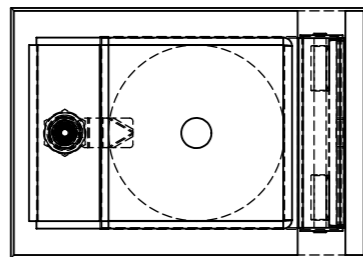
D

C


C

B

B



DETAIL A
SCALE 2 : 5

UNLESS OTHERWISE SPECIFIED: DIMENSIONS ARE IN MILLIMETERS SURFACE FINISH: TOLERANCES: LINEAR: ANGULAR:			FINISH:		DEBURR AND BREAK SHARP EDGES		DO NOT SCALE DRAWING		REVISION			
												
							TITLE: 114.3 Bollard socket					
							DWG NO. 114.3 Socket Assembly				A3	
							MATERIAL: Stainless Steel		SCALE:1:5		SHEET 1 OF 6	
							WEIGHT: 8562.51					
DRAWN	NAME	SIGNATURE	DATE									
CHK'D												
APPV'D												
MFG												
Q.A												

8 7 6 5 4 3 2 1

A

A

8 7 6 5 4 3 2 1

F

F

E

E

D

D

C

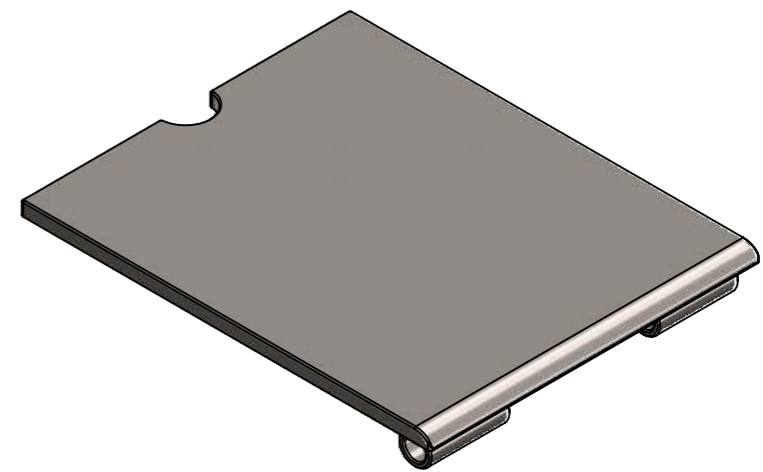
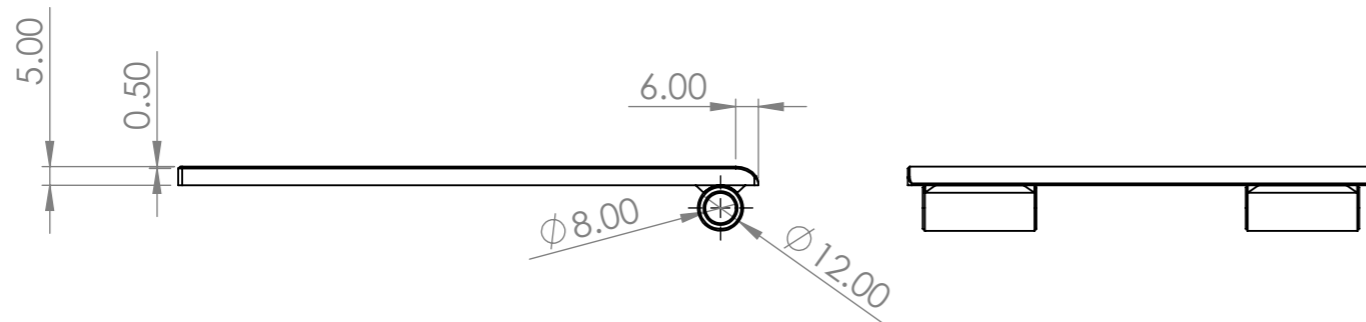
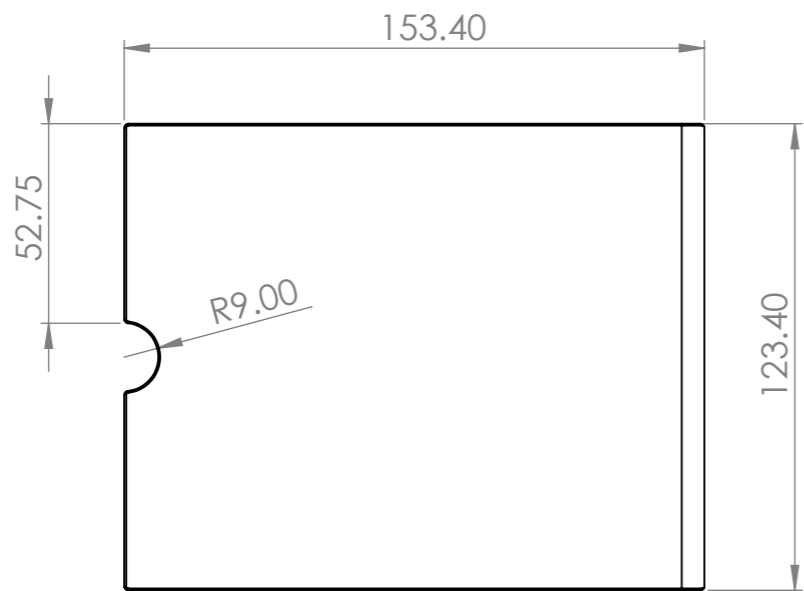
C

B

B

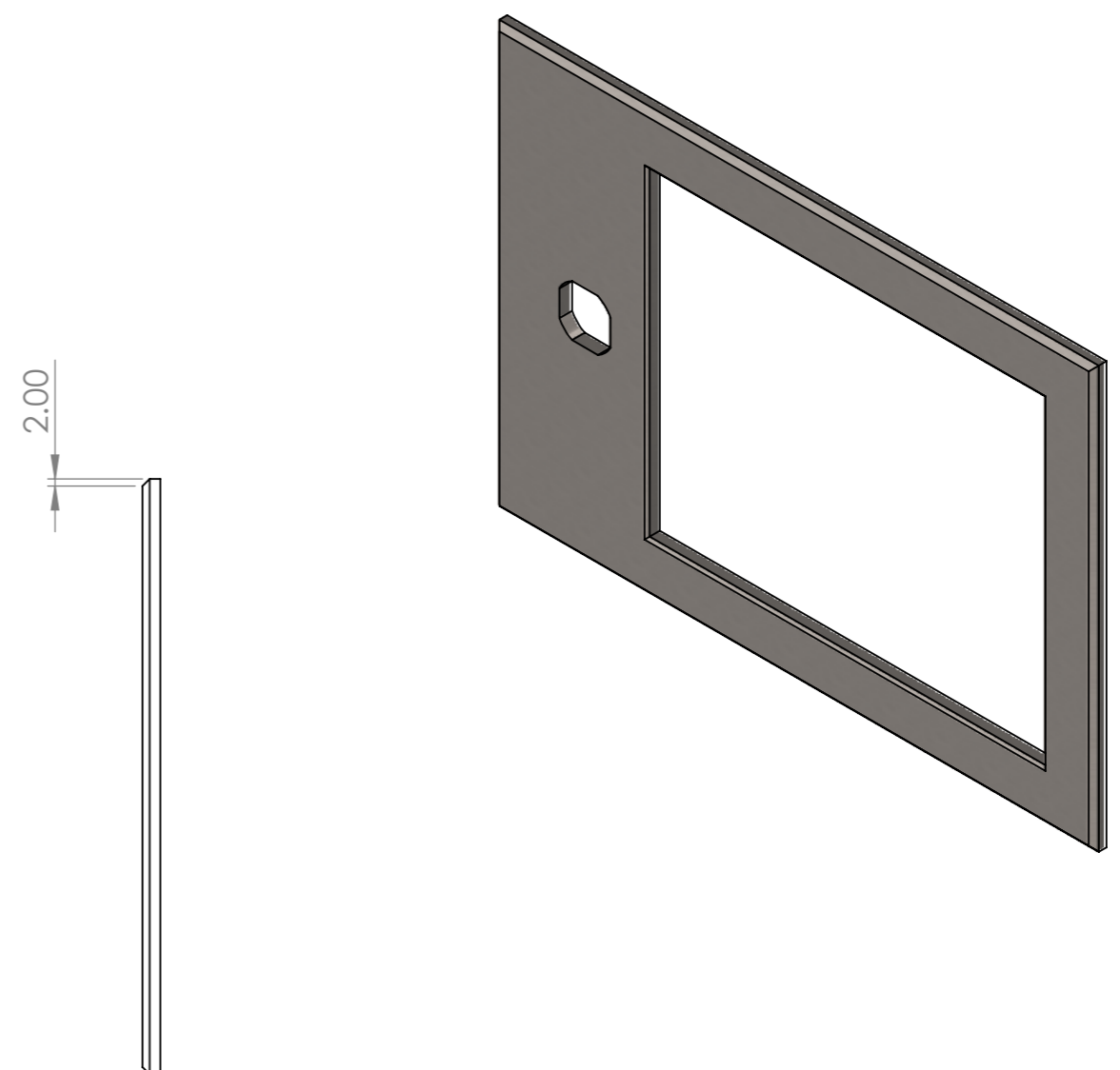
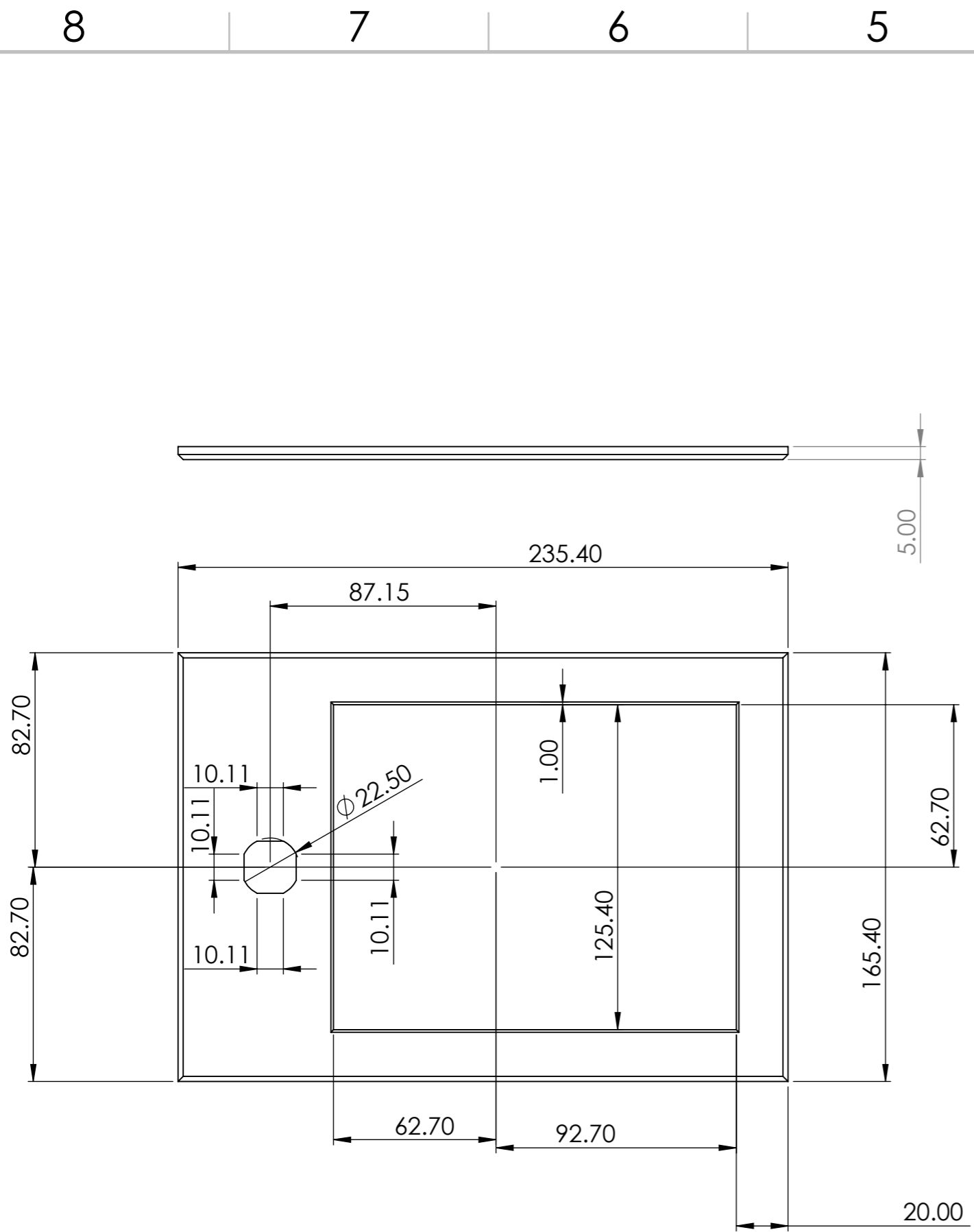
A

A



UNLESS OTHERWISE SPECIFIED: DIMENSIONS ARE IN MILLIMETERS SURFACE FINISH: TOLERANCES: LINEAR: ANGULAR:			FINISH:		DEBURR AND BREAK SHARP EDGES		DO NOT SCALE DRAWING		REVISION			
							TITLE: 114.3mm Flip Lip					
							DWG NO. 114.3 Socket Assembly				A3	
							MATERIAL: Polished Stainless Steel		SCALE:1:5		SHEET 2 OF 6	
							WEIGHT: 8562.51					
DRAWN	NAME	SIGNATURE	DATE									
CHK'D												
APPV'D												
MFG												
Q.A												

8 7 6 5 4 3 2 1



UNLESS OTHERWISE SPECIFIED: DIMENSIONS ARE IN MILLIMETERS SURFACE FINISH: TOLERANCES: LINEAR: ANGULAR:		FINISH:		DEBURR AND BREAK SHARP EDGES		DO NOT SCALE DRAWING		REVISION	
DRAWN		NAME		SIGNATURE		DATE		TITLE: 114.3mm Ground plate	
CHK'D								DWG NO. 114.3 Socket Assembly	
APPV'D								A3	
MFG								SCALE:1:5	
Q.A						MATERIAL: Polished Stainless steel		SHEET 3 OF 6	
						WEIGHT: 8562.51			

8 7 6 5 4 3 2 1

F

F

E

E

D

D

C

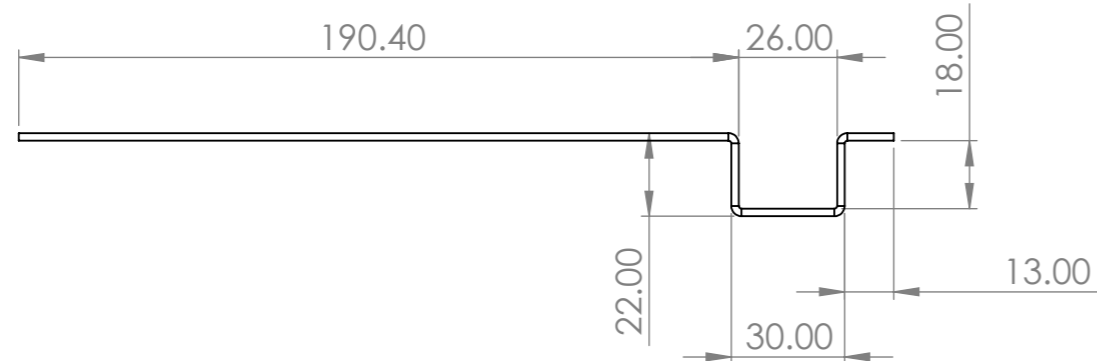
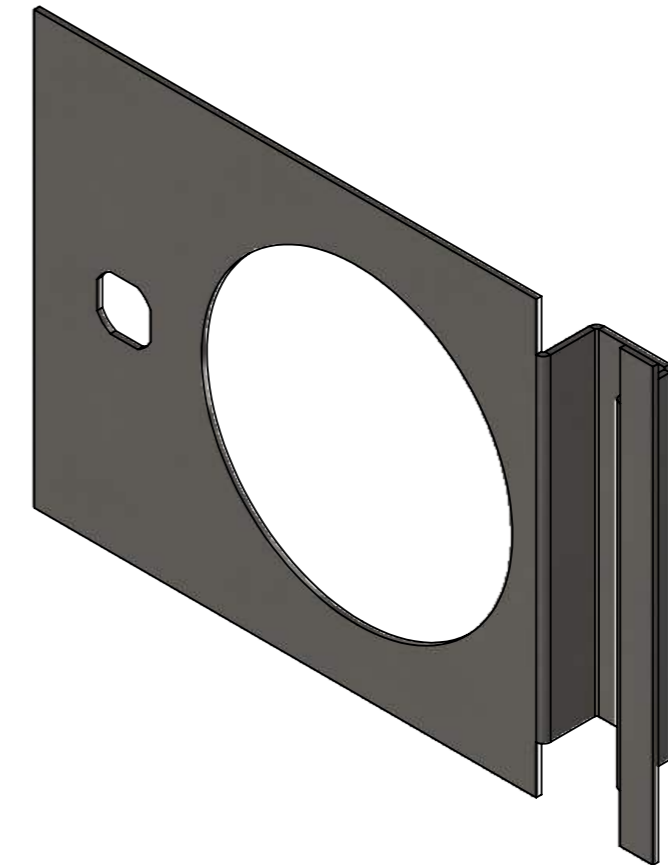
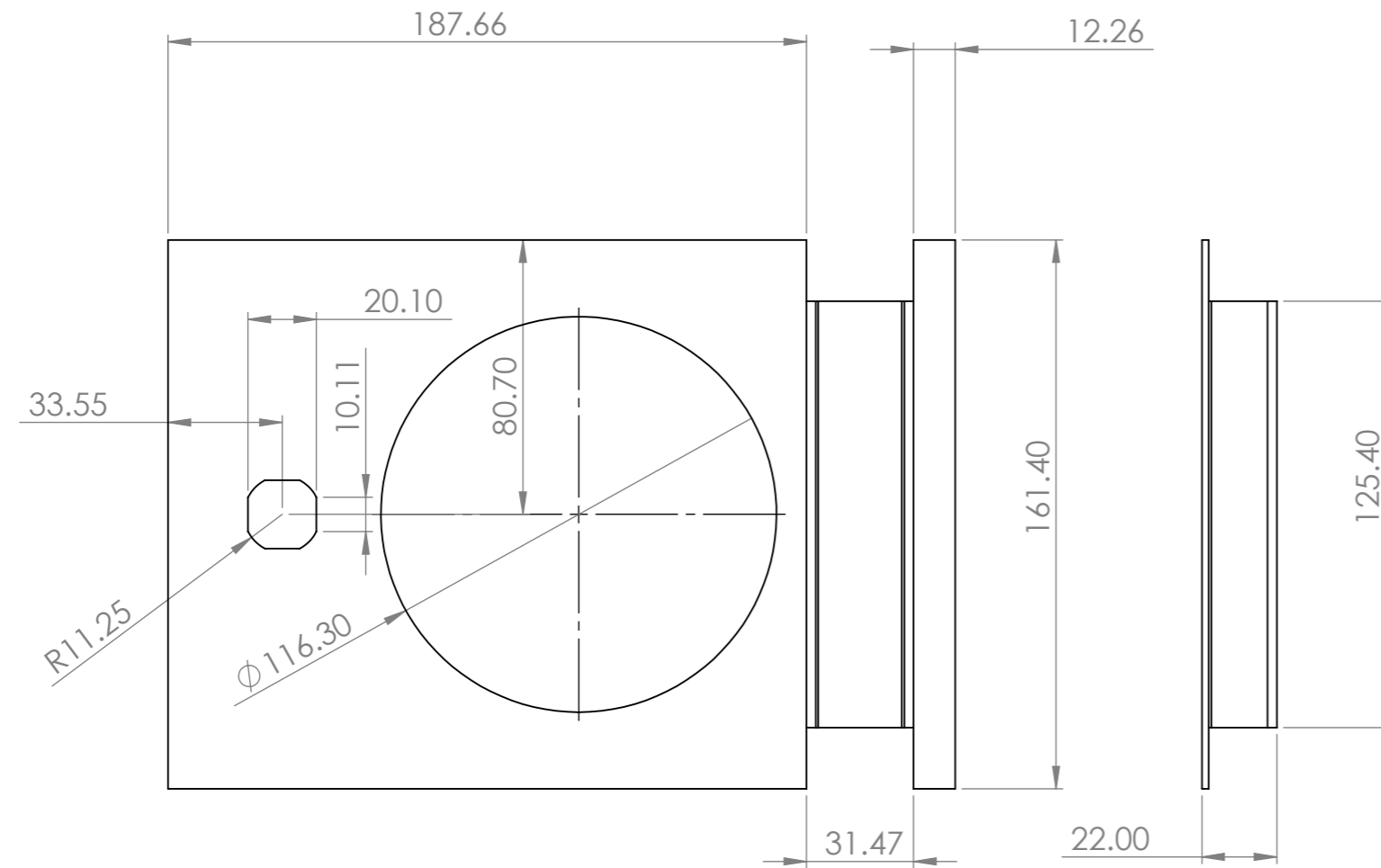
C


B

B

A

A



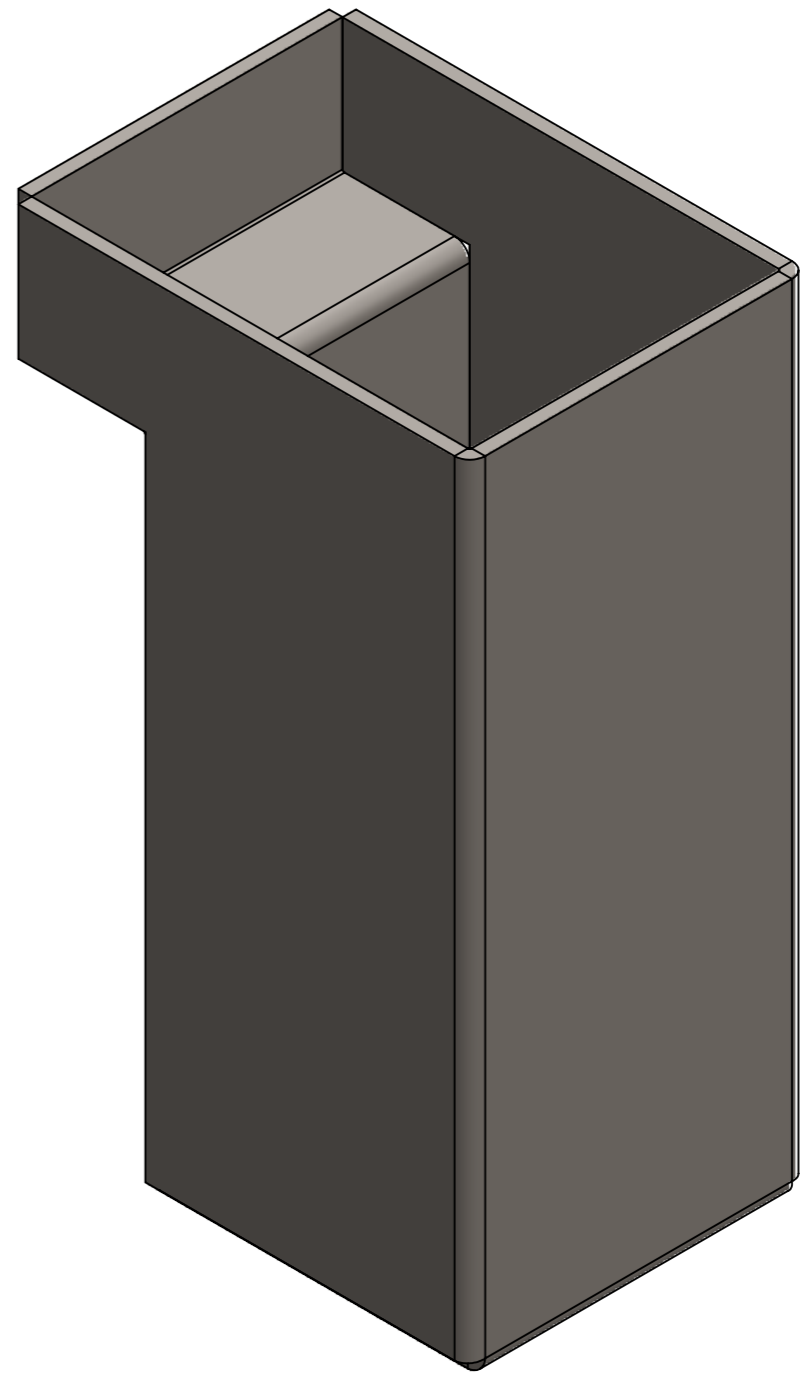
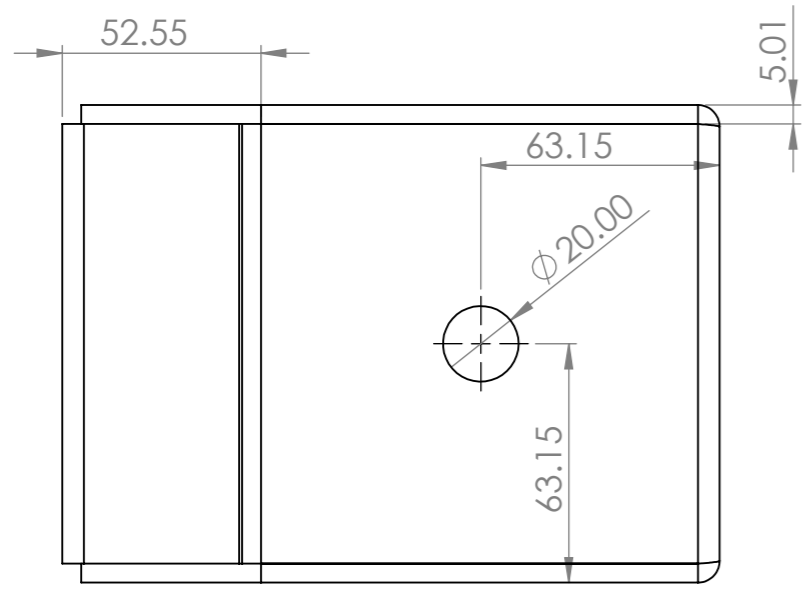
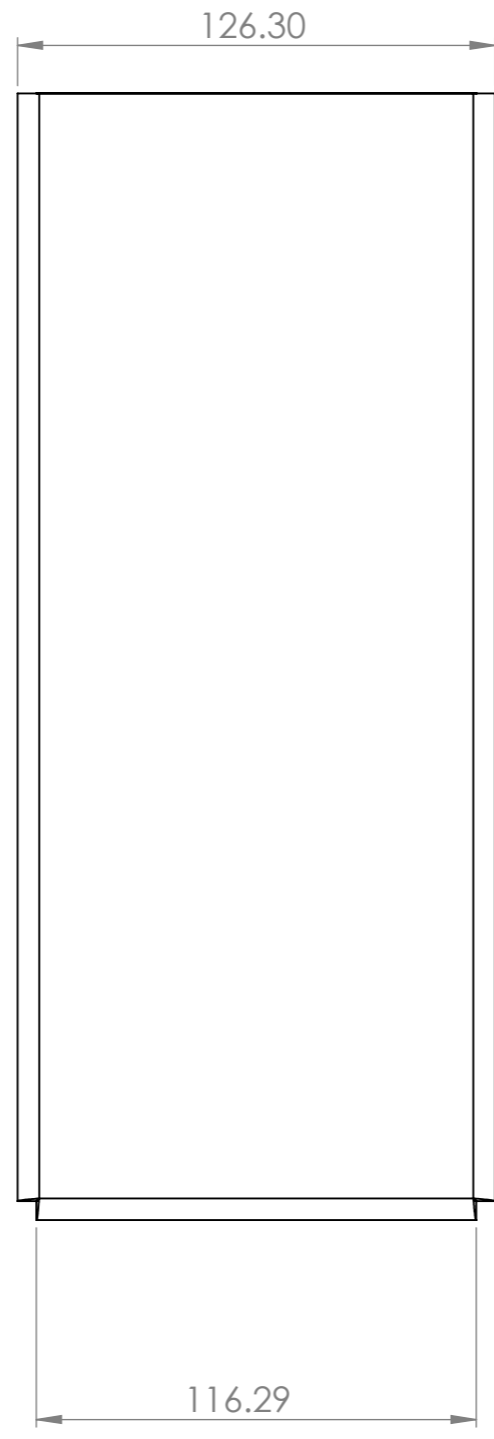
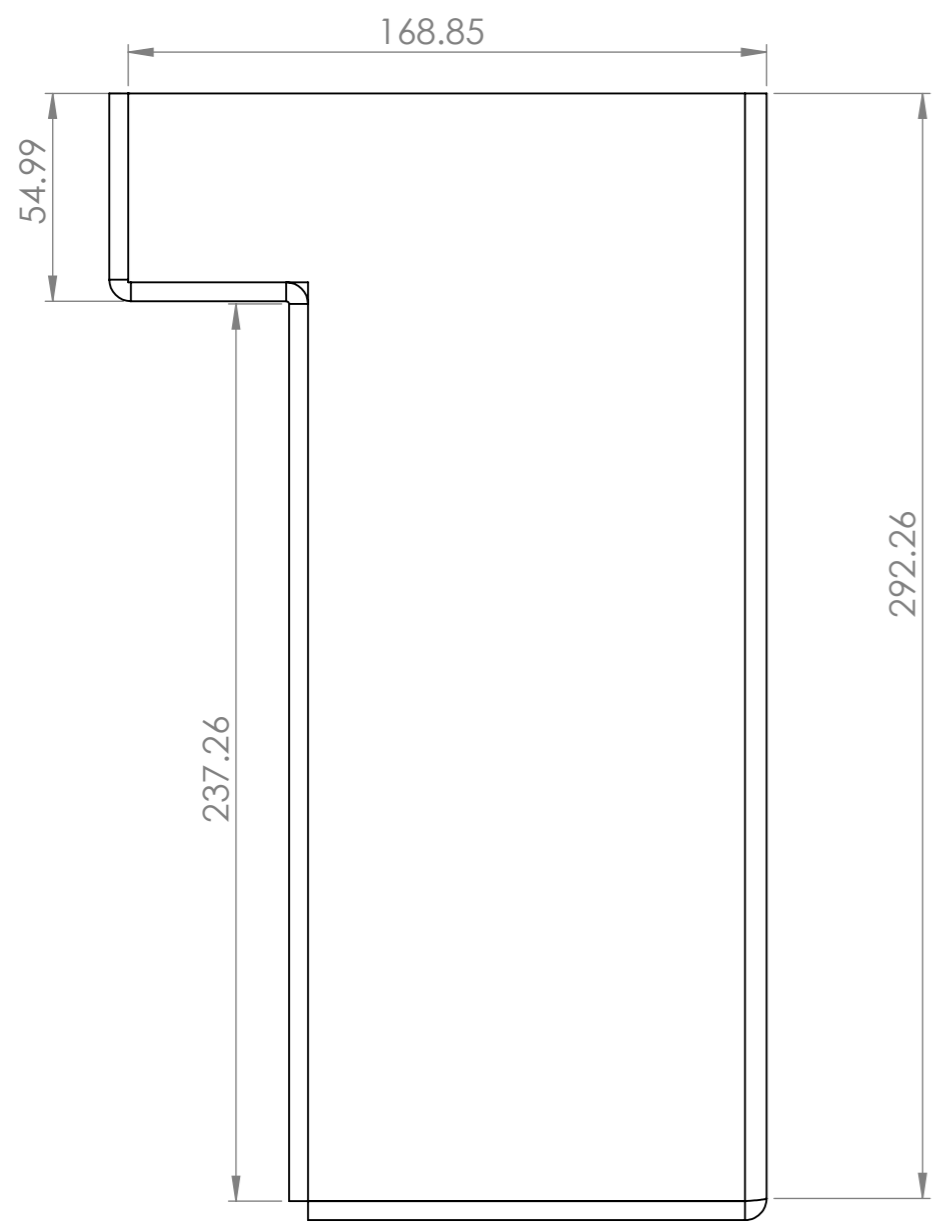
UNLESS OTHERWISE SPECIFIED: DIMENSIONS ARE IN MILLIMETERS SURFACE FINISH: TOLERANCES: LINEAR: ANGULAR:				FINISH:		DEBURR AND BREAK SHARP EDGES		DO NOT SCALE DRAWING		REVISION	
DRAWN								 TITLE: 114.3mm Guide Plate			
CHK'D											
APPV'D											
MFG											
Q.A											
MATERIAL: 2B Stainless Steel						DWG NO. 114.3 Socket Assembly		A3			
WEIGHT: 8562.51						SCALE: 1:5		SHEET 4 OF 6			

8 7 6 5 4 3 2 1

8 7 6 5 4 3 2 1

F
E
D
C
B
A

F
E
D
C
B
A



UNLESS OTHERWISE SPECIFIED: DIMENSIONS ARE IN MILLIMETERS SURFACE FINISH: TOLERANCES: LINEAR: ANGULAR:			FINISH:		DEBURR AND BREAK SHARP EDGES		DO NOT SCALE DRAWING		REVISION			
DRAWN			NAME		SIGNATURE		DATE		TITLE: 114.3mm Socket			
CHK'D												
APPV'D												
MFG												
Q.A									MATERIAL: 2B Stainless Steel		DWG NO. 114.3 Socket Assembly	A3
									WEIGHT: 8562.51		SCALE: 1:5	SHEET 5 OF 6

8 7 6 5 4 3 2 1

A

8 7 6 5 4 3 2 1

F

F

E

E

D

D

C

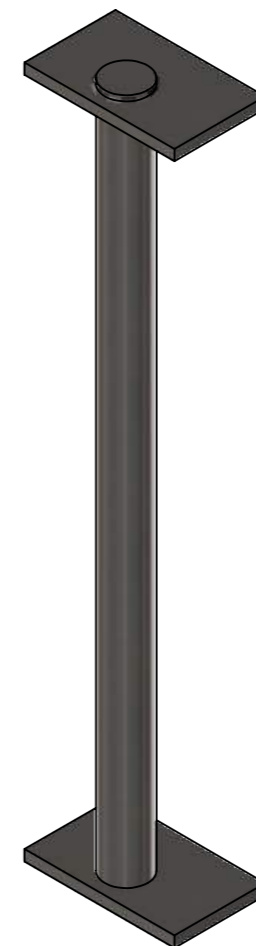
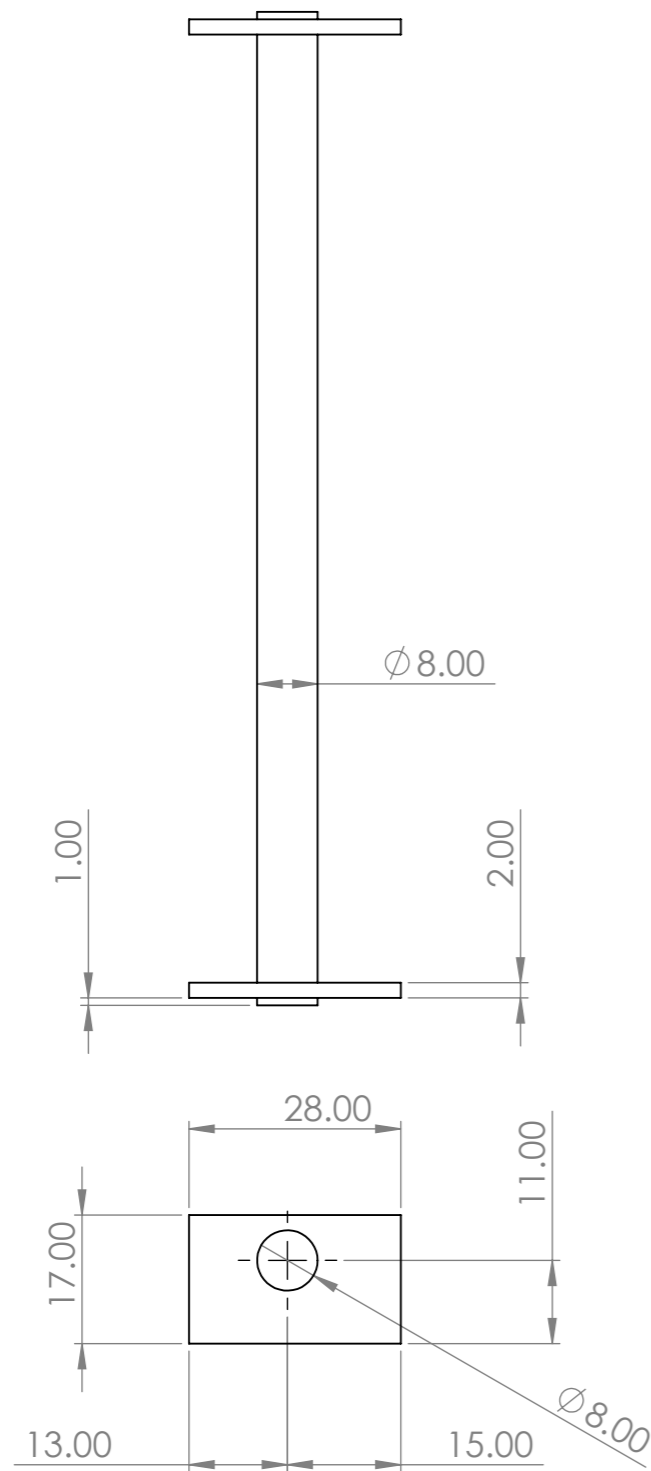
C

B

B

A

A



UNLESS OTHERWISE SPECIFIED: DIMENSIONS ARE IN MILLIMETERS SURFACE FINISH: TOLERANCES: LINEAR: ANGULAR:			FINISH:		DEBURR AND BREAK SHARP EDGES		DO NOT SCALE DRAWING		REVISION		
							TITLE: 114.3mm Hinge				
DRAWN			NAME		SIGNATURE		DATE		DWG NO. 114.3 Socket Assembly		
CHK'D									A3		
APPV'D									SCALE:1:5		
MFG									SHEET 6 OF 6		
Q.A							MATERIAL: 2B Stainless steel		WEIGHT: 8562.51		

8 7 6 5 4 3 2 1