

8 7 6 5 4 3 2 1

F

F

E

E

D

D

C

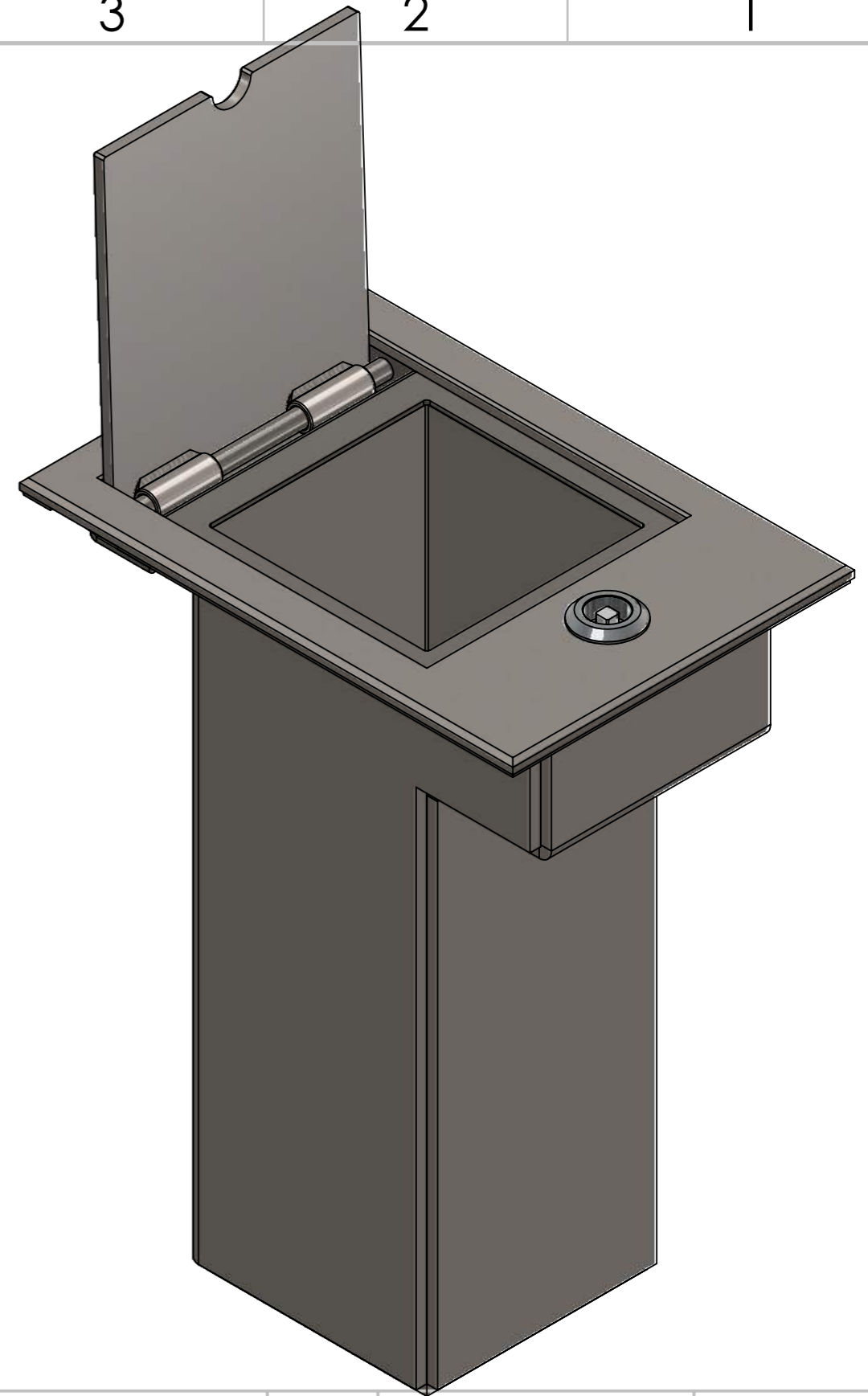
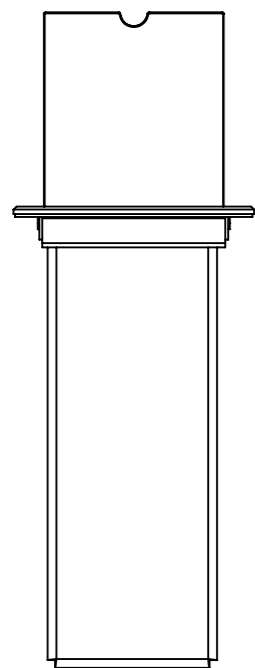
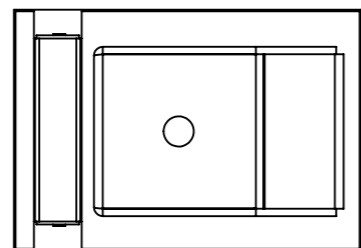
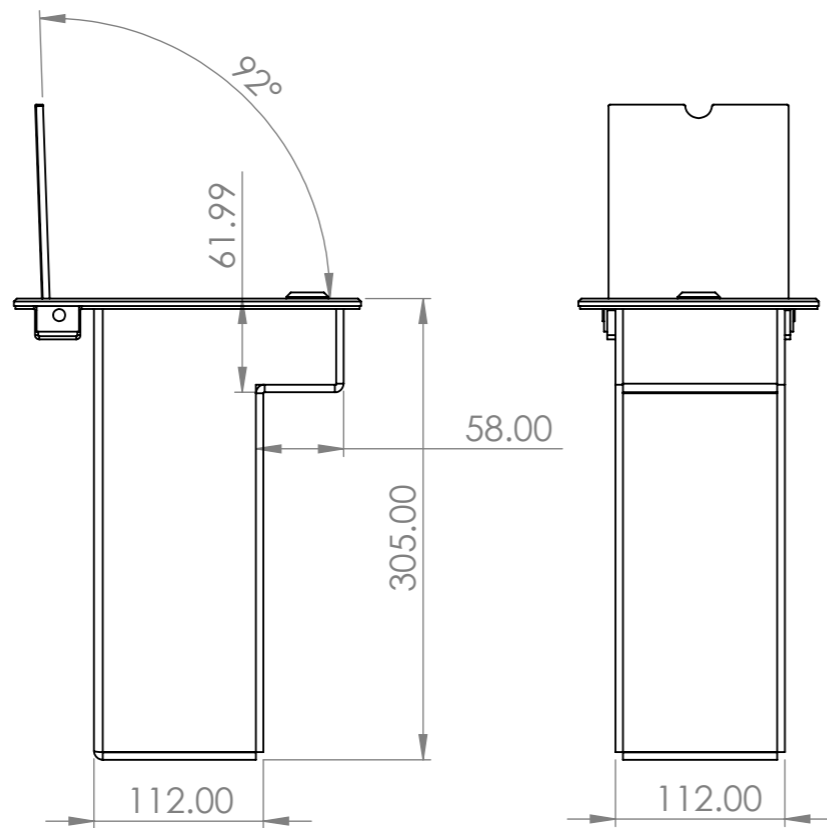
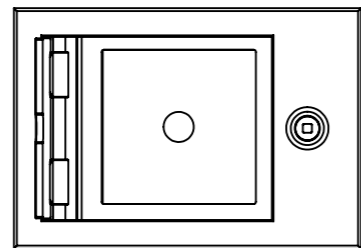
C


B

B

A

A



UNLESS OTHERWISE SPECIFIED: DIMENSIONS ARE IN MILLIMETERS			FINISH:		DEBURR AND BREAK SHARP EDGES		DO NOT SCALE DRAWING		REVISION	
SURFACE FINISH:									TITLE: <h1>100 x 100 Bollard Socket</h1>	
TOLERANCES: LINEAR: ANGULAR:										
DRAWN		NAME	SIGNATURE	DATE			DWG NO.		A3	
CHK'D							100 x 100 Stainless Steel Socket Asy			
APPV'D							SCALE:1:5		SHEET 1 OF 6	
MFG					MATERIAL:					
Q.A					304L Stainless Steel					
					WEIGHT: 7660.60					

8 7 6 5 4 3 2 1

8 7 6 5 4 3 2 1

F

F

E

E

D

D

C

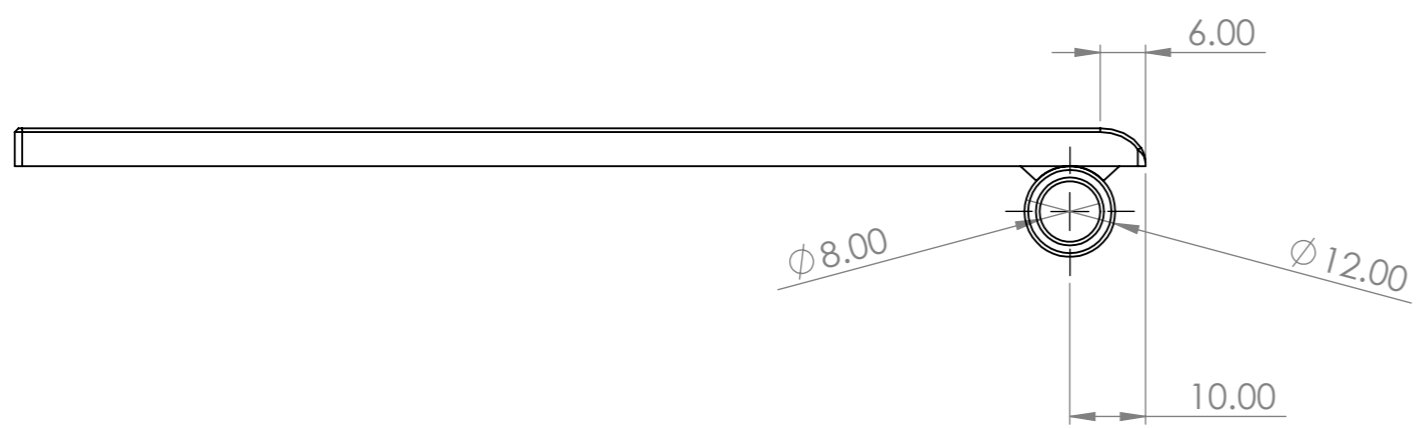
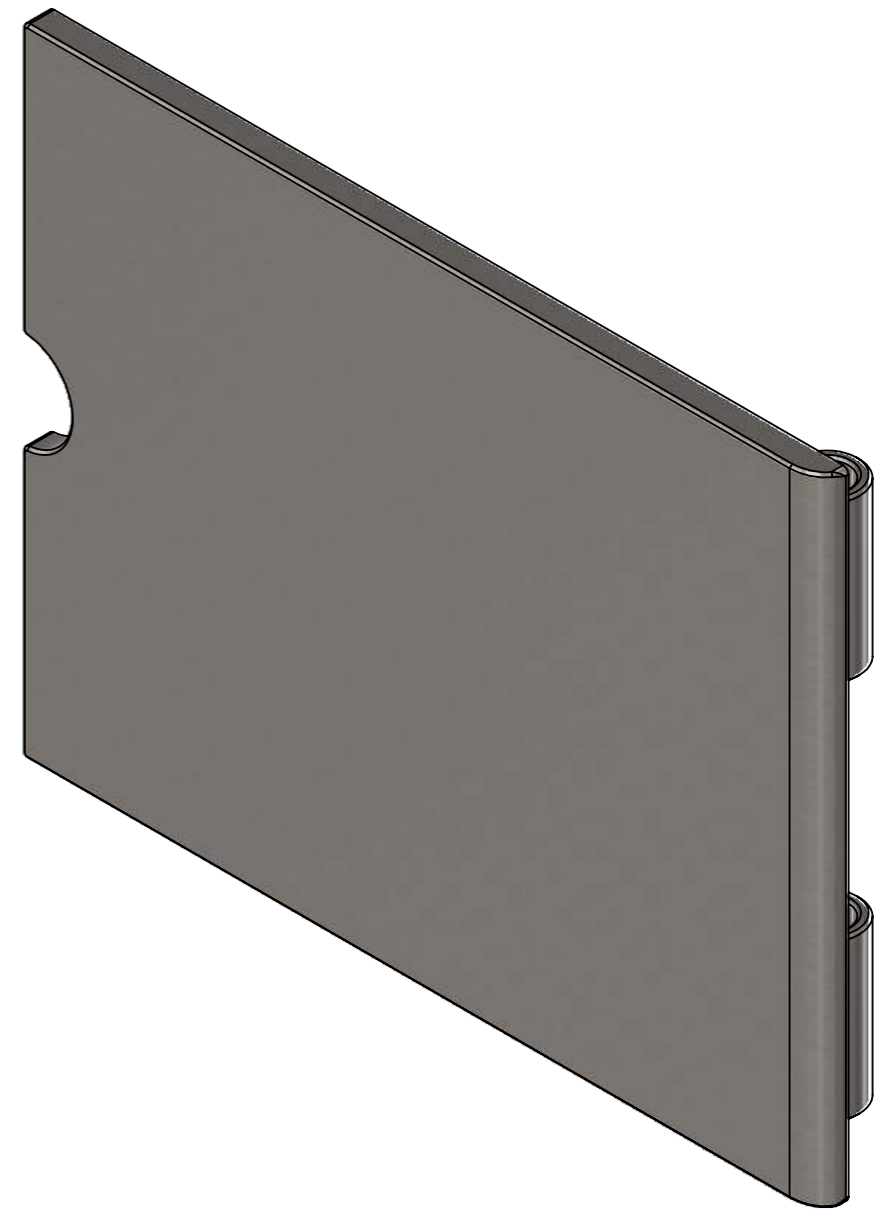
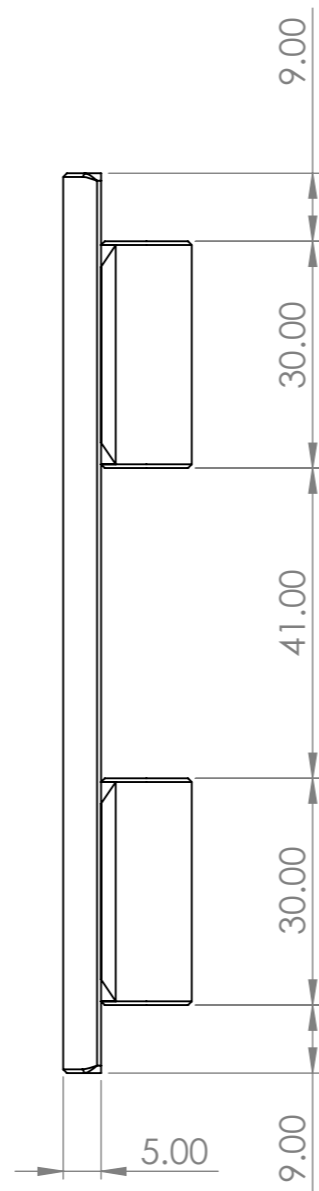
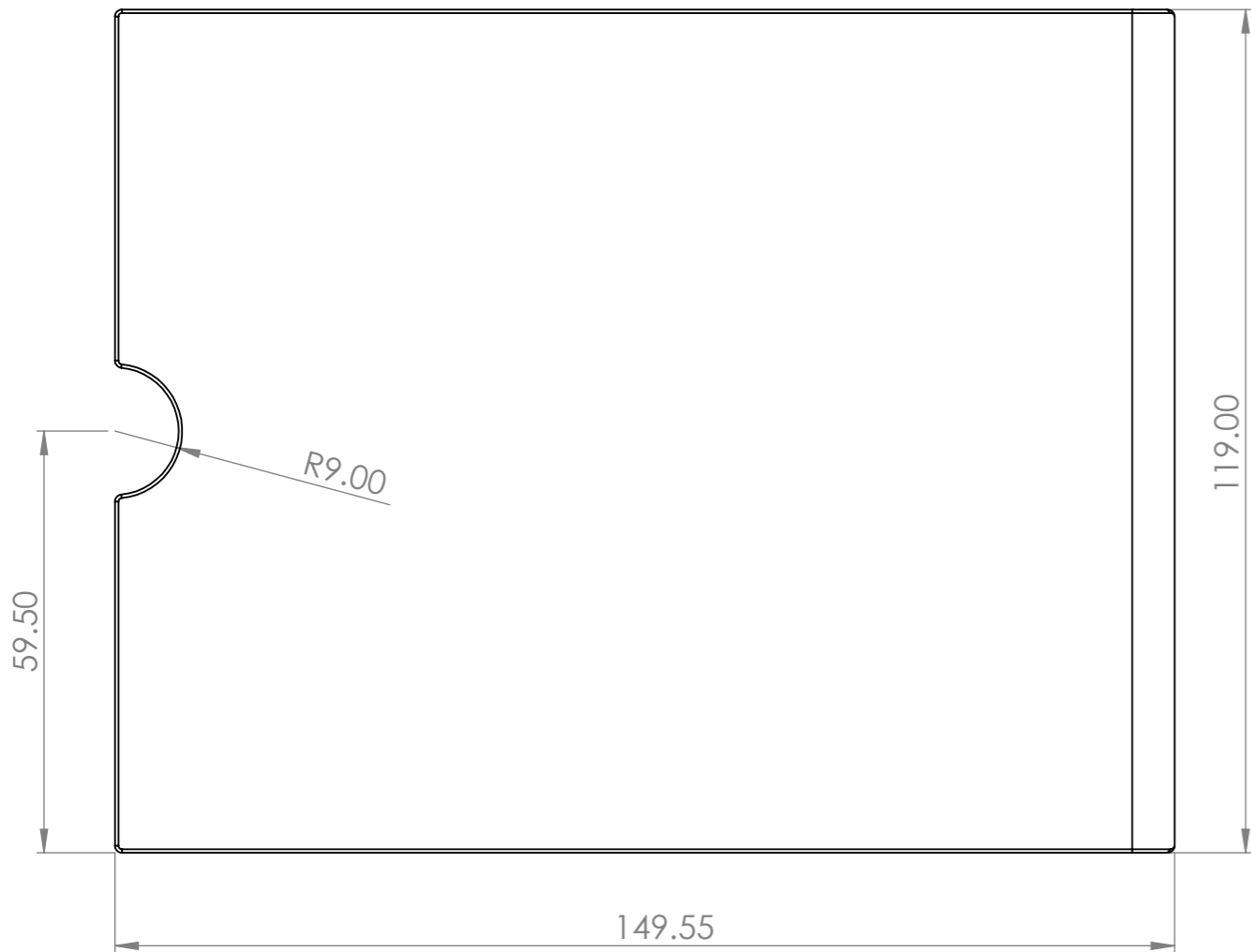
C


B

B

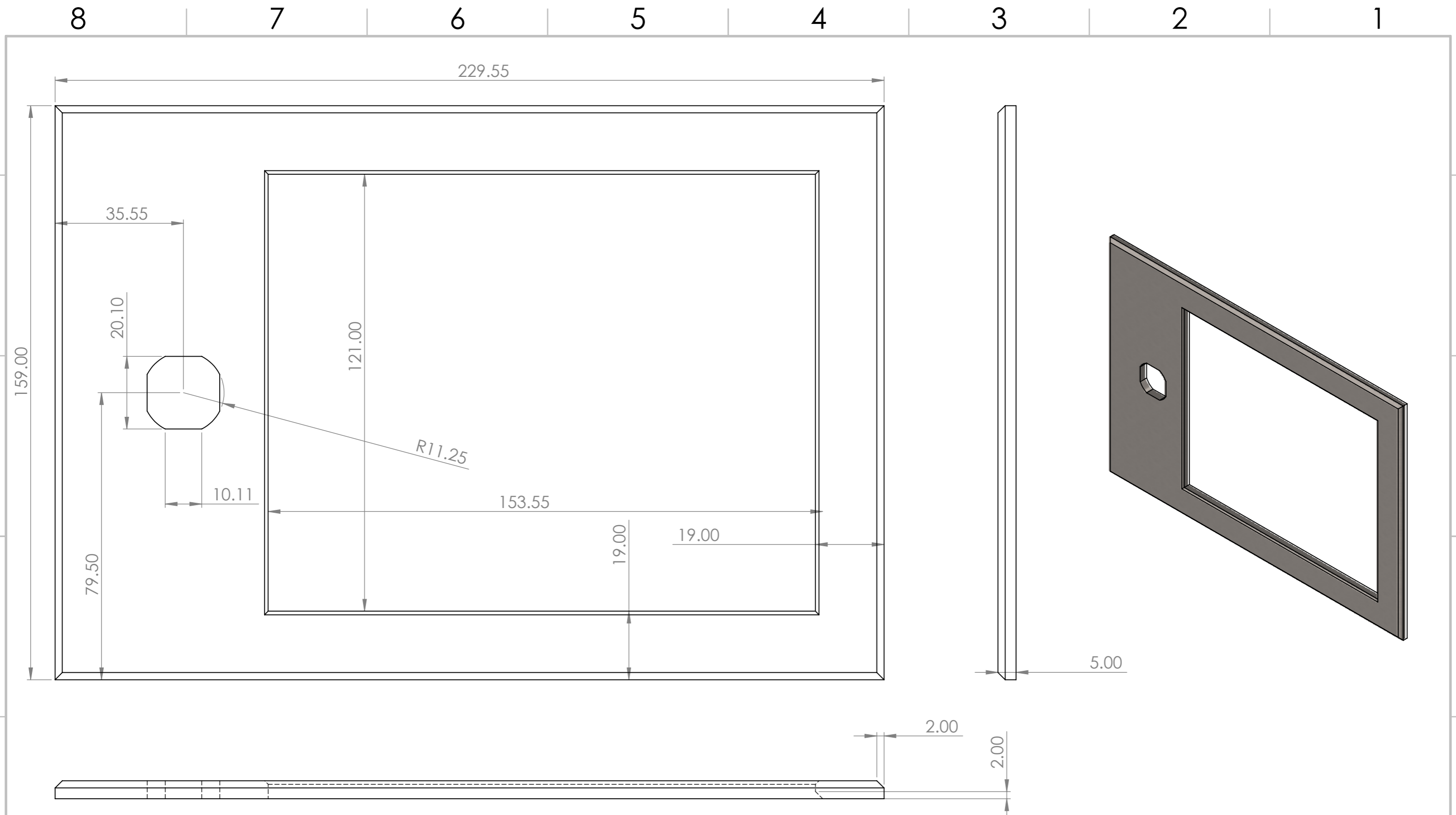
A


A

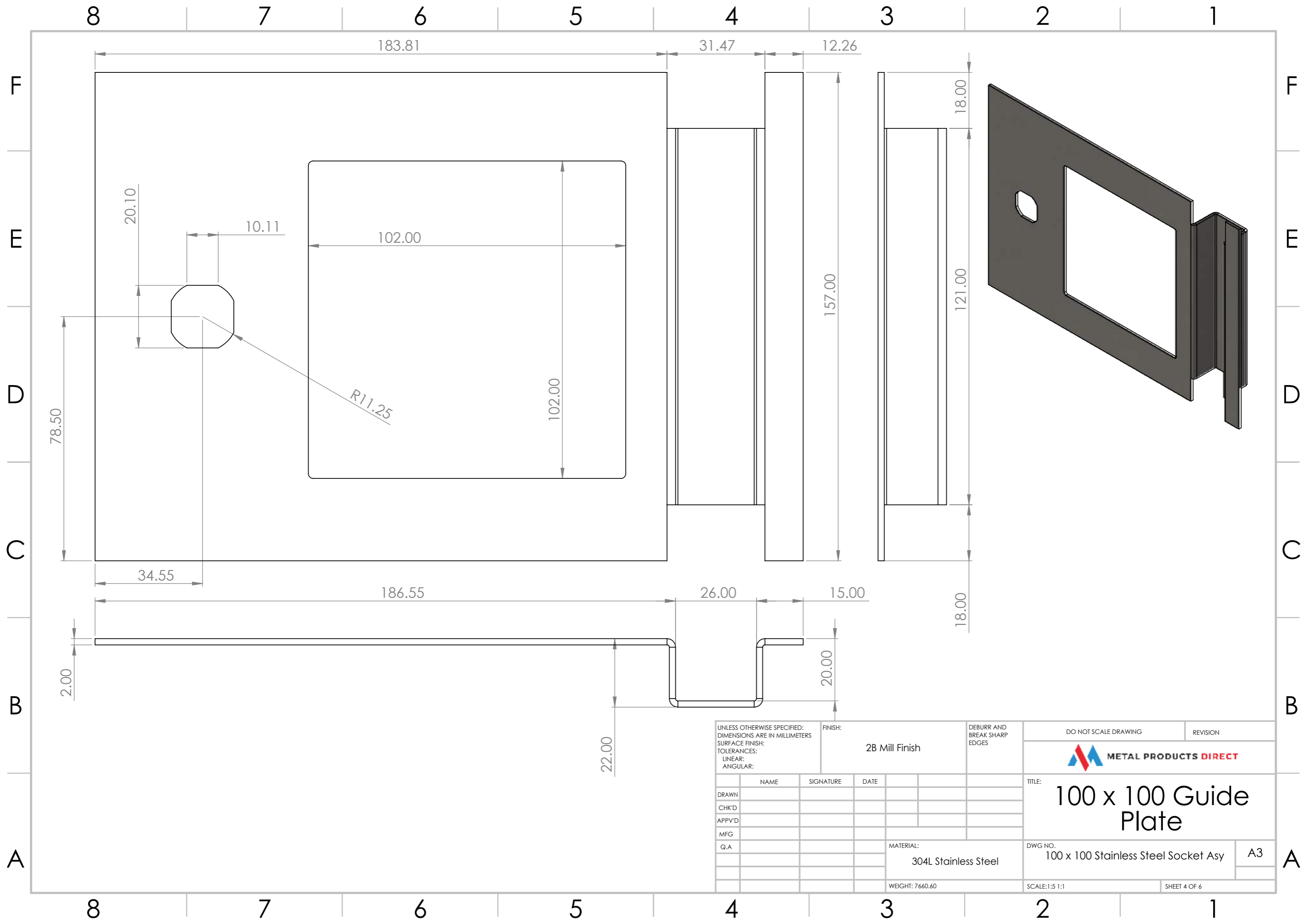



UNLESS OTHERWISE SPECIFIED: DIMENSIONS ARE IN MILLIMETERS		FINISH: Brushed Steel		DEBURR AND BREAK SHARP EDGES		DO NOT SCALE DRAWING		REVISION	
SURFACE FINISH:								TITLE: <h1>100 x 100 Flip Lid</h1>	
TOLERANCES:									
LINEAR:						DWG NO.		A3	
ANGULAR:						100 x 100 Stainless Steel Socket Asy			
DRAWN		NAME		SIGNATURE		DATE		MATERIAL: 304L Stainless Steel	
CHK'D								DWG NO.	
APPV'D								100 x 100 Stainless Steel Socket Asy	
MFG								SCALE: 1:1	
Q.A								SHEET 2 OF 6	
								WEIGHT: 7660.60	

8 7 6 5 4 3 2 1



UNLESS OTHERWISE SPECIFIED: DIMENSIONS ARE IN MILLIMETERS SURFACE FINISH: TOLERANCES: LINEAR: ANGULAR:			FINISH: Brushed Steel		DEBURR AND BREAK SHARP EDGES		DO NOT SCALE DRAWING		REVISION			
									TITLE: 100 x 100 Ground Plate			
DRAWN			NAME		SIGNATURE						DATE	
CHK'D												
APPV'D												
MFG												
Q.A							MATERIAL: 304L Stainless Steel		DWG NO. 100 x 100 Stainless Steel Socket Asy			
							WEIGHT: 7660.60		SCALE: 1:1			
									SHEET 3 OF 6			
									A3			

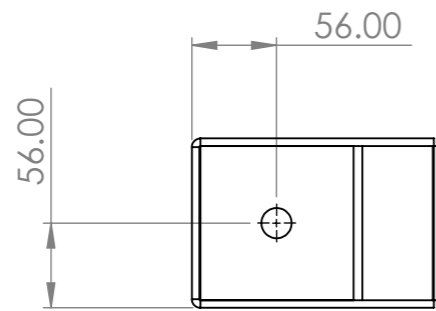


UNLESS OTHERWISE SPECIFIED: DIMENSIONS ARE IN MILLIMETERS				FINISH: 2B Mill Finish		DEBURR AND BREAK SHARP EDGES		DO NOT SCALE DRAWING		REVISION	
SURFACE FINISH: LINEAR: ANGULAR:										TITLE: 100 x 100 Guide Plate	
DRAWN	NAME	SIGNATURE	DATE								
CHK'D											
APPV'D											
MFG											
Q.A											
						MATERIAL: 304L Stainless Steel					
						WEIGHT: 7660.60			SCALE: 1:5 1:1		SHEET 4 OF 6

8 7 6 5 4 3 2 1

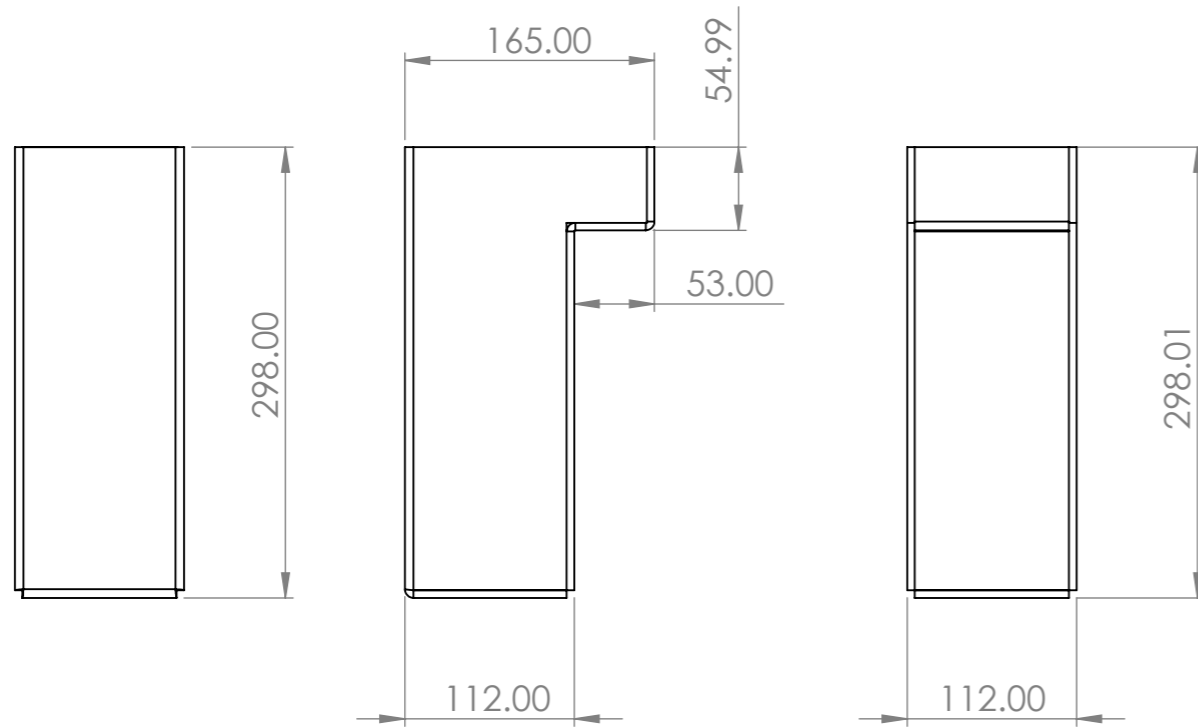
F

F



E

E

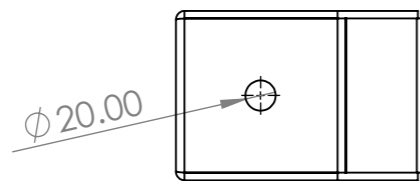


D

D

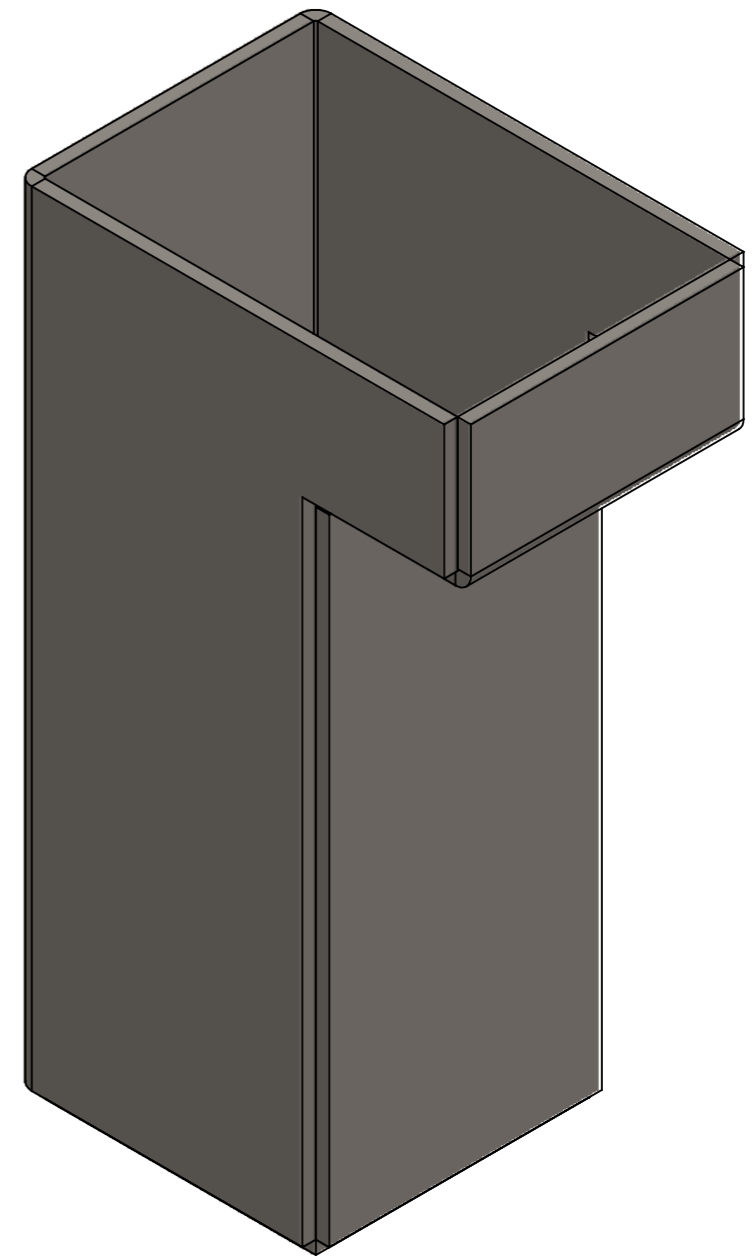
C

C



B

B



A

A

8 7 6 5 4 3 2 1

UNLESS OTHERWISE SPECIFIED: DIMENSIONS ARE IN MILLIMETERS SURFACE FINISH: TOLERANCES: LINEAR: ANGULAR:			FINISH: 2B Mill Finish		DEBURR AND BREAK SHARP EDGES		DO NOT SCALE DRAWING		REVISION		
							TITLE: 100 x 100 Socket				
DRAWN			NAME		SIGNATURE		DATE		DWG NO. 100 x 100 Stainless Steel Socket Asy		
CHK'D									A3		
APPV'D									SCALE:1:5		
MFG									SHEET 5 OF 6		
Q.A							MATERIAL: 304L Stainless Steel		WEIGHT: 7660.60		

8 7 6 5 4 3 2 1

F

F

E

E

D

D

C

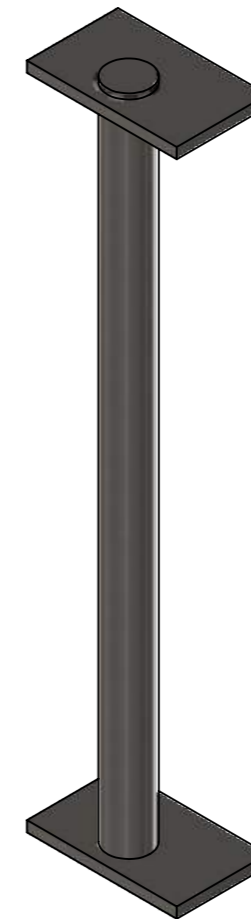
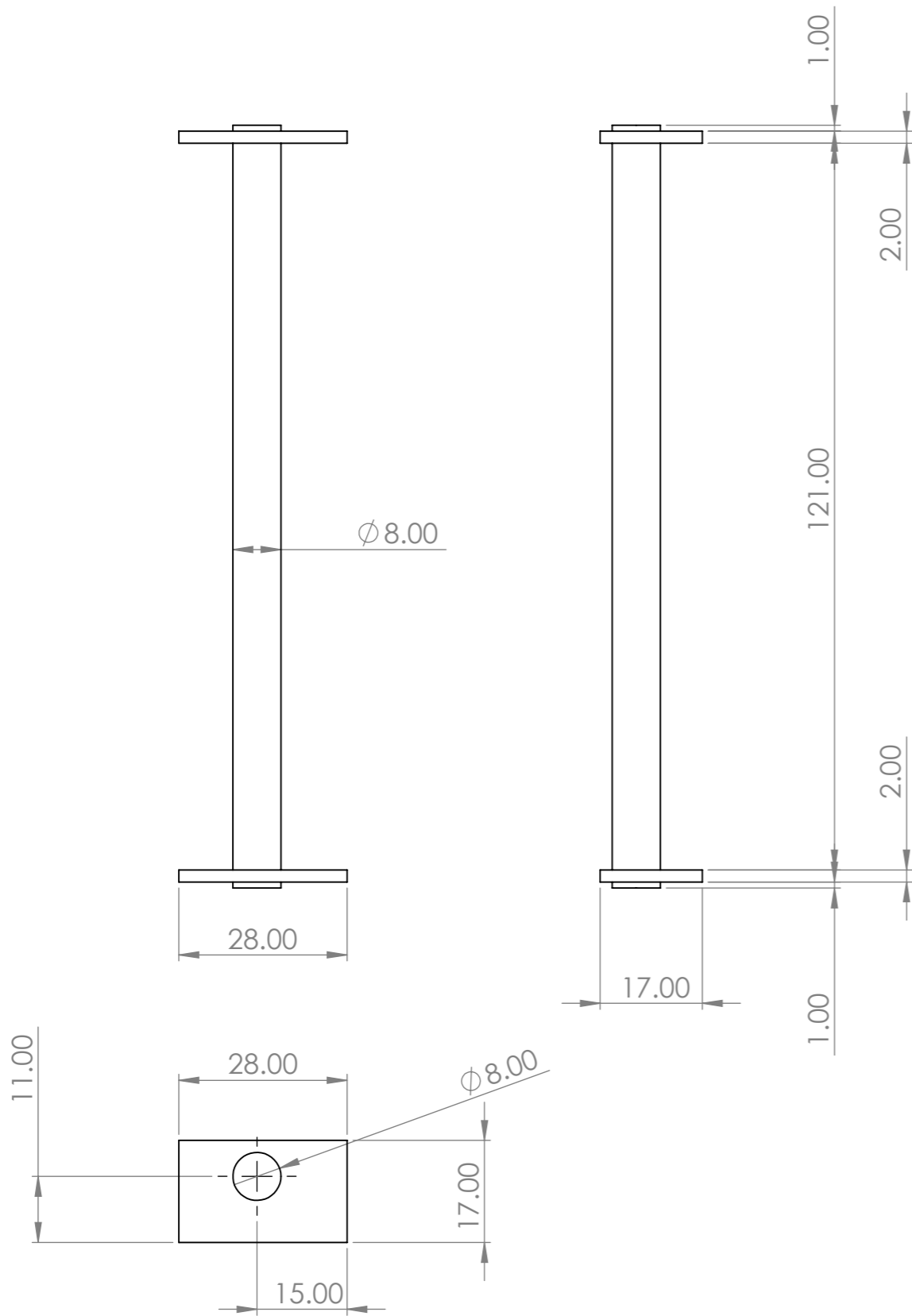
C


B

B

A

A



UNLESS OTHERWISE SPECIFIED: DIMENSIONS ARE IN MILLIMETERS				FINISH: 2B Mill Finish		DEBURR AND BREAK SHARP EDGES		DO NOT SCALE DRAWING		REVISION	
SURFACE FINISH: TOLERANCES: LINEAR: ANGULAR:										TITLE: 100 x 100 Hinge	
DRAWN				NAME		SIGNATURE					
CHK'D										A3	
APPV'D											
MFG											
Q.A								MATERIAL: 304L Stainless Steel		SCALE: 1:1	
								WEIGHT: 7660.60		SHEET 6 OF 6	

8 7 6 5 4 3 2 1