

8 7 6 5 4 3 2 1

F

F

E

E

D

D

C

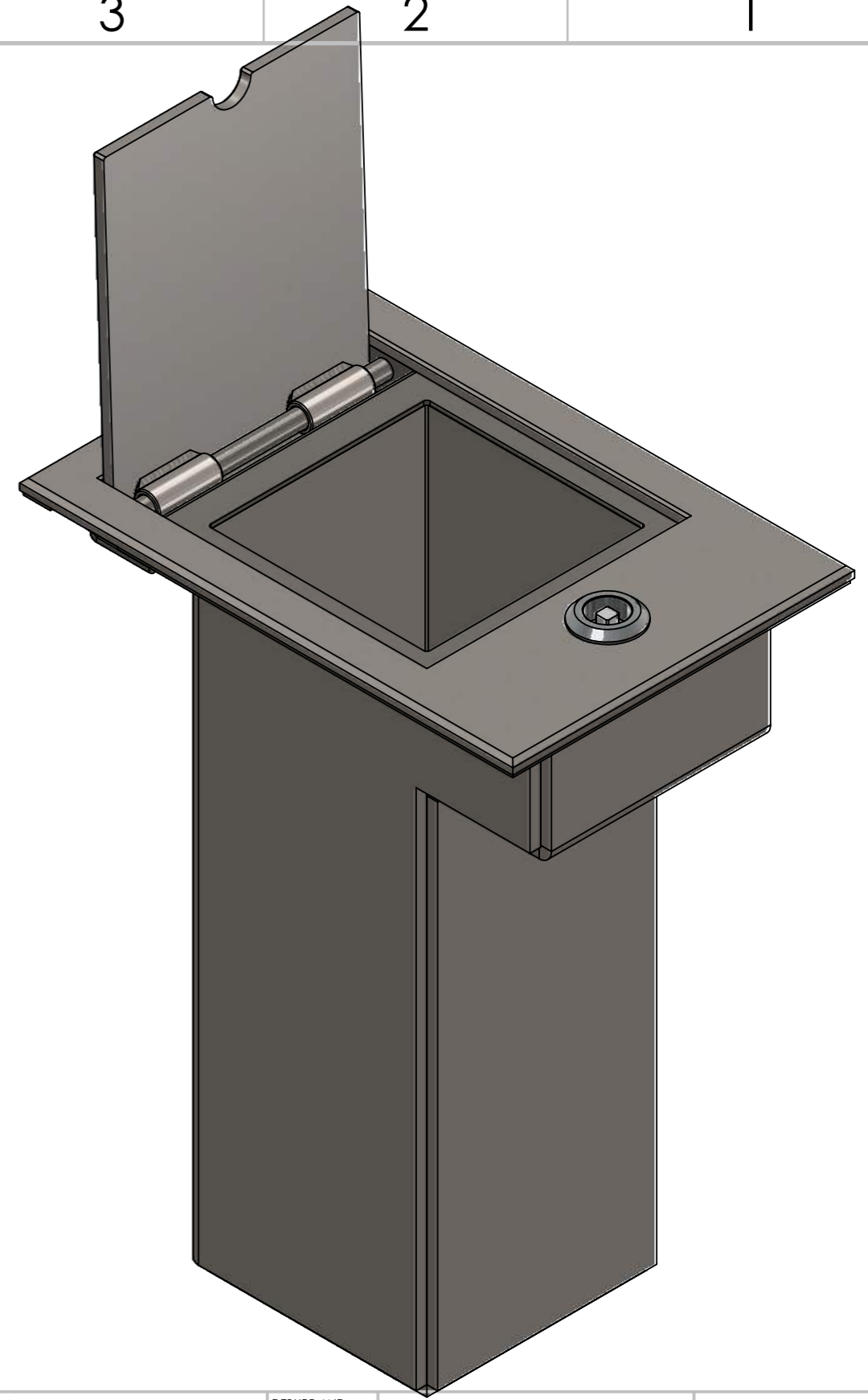
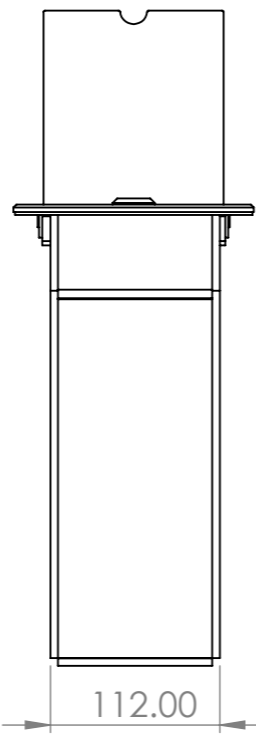
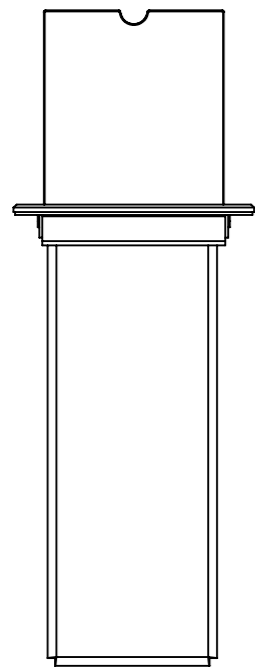
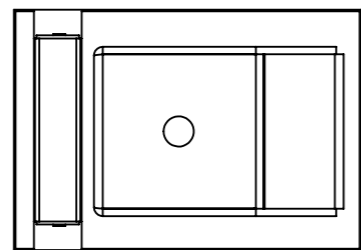
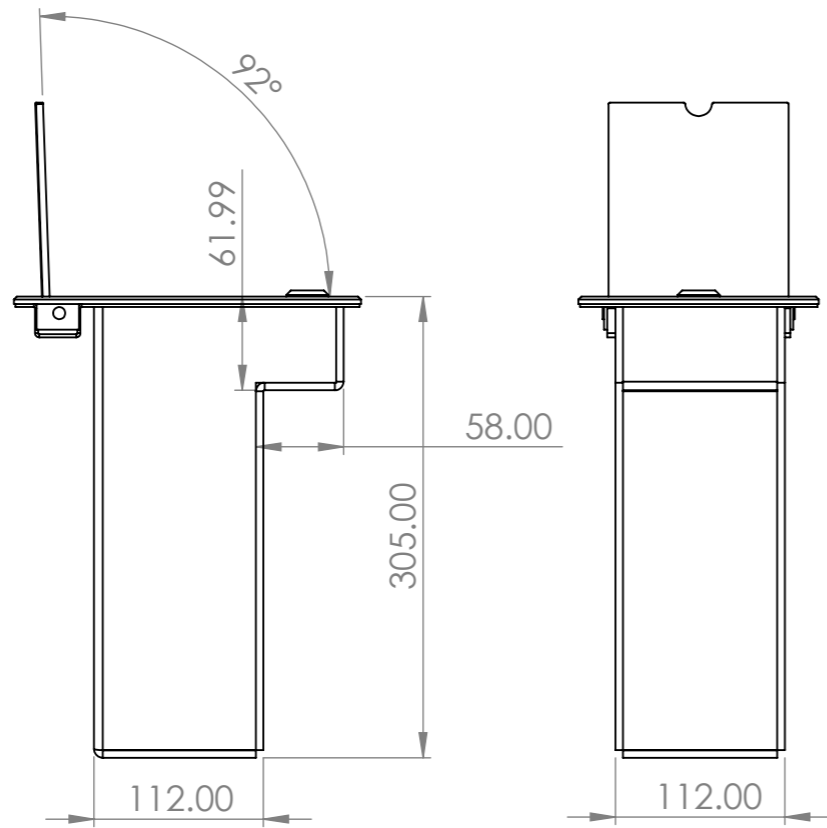
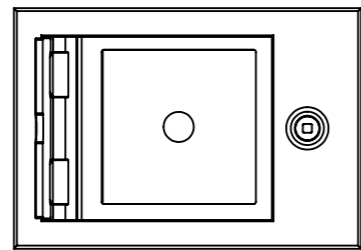
C

B

B

A

A



UNLESS OTHERWISE SPECIFIED: DIMENSIONS ARE IN MILLIMETERS SURFACE FINISH: TOLERANCES: LINEAR: ANGULAR:			FINISH:		DEBURR AND BREAK SHARP EDGES		DO NOT SCALE DRAWING		REVISION		
DRAWN							TITLE: 100 x 100 Bollard Socket				
CHK'D							DWG NO. 100 x 100 Stainless Steel Socket Asy				
APPV'D							SCALE: 1:5				
MFG							MATERIAL: 304L Stainless Steel		SHEET 1 OF 6		
Q.A							WEIGHT: 7660.60		A3		

8 7 6 5 4 3 2 1

8 7 6 5 4 3 2 1

F

F

E

E

D

D

C

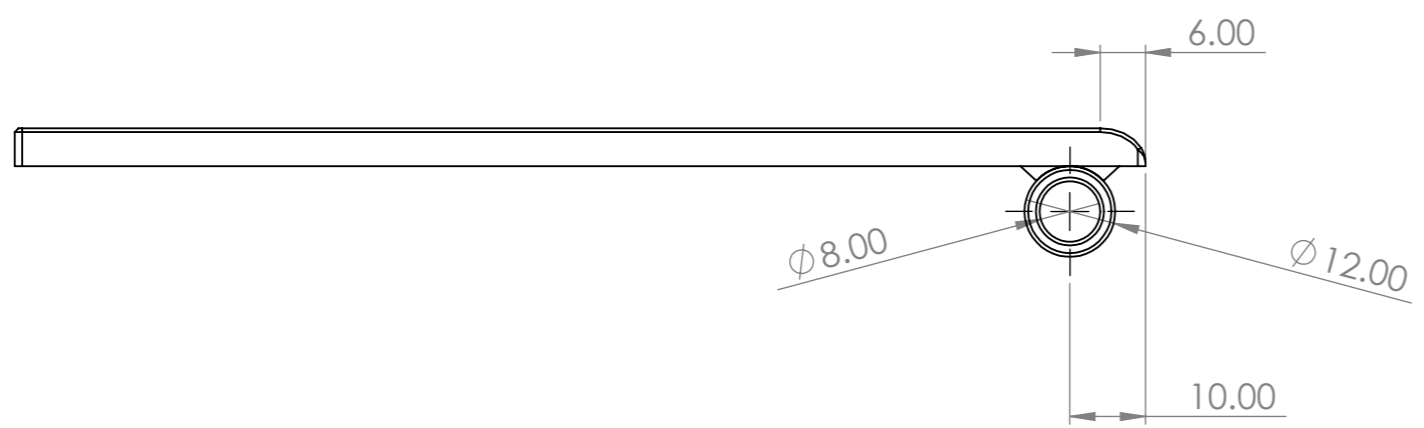
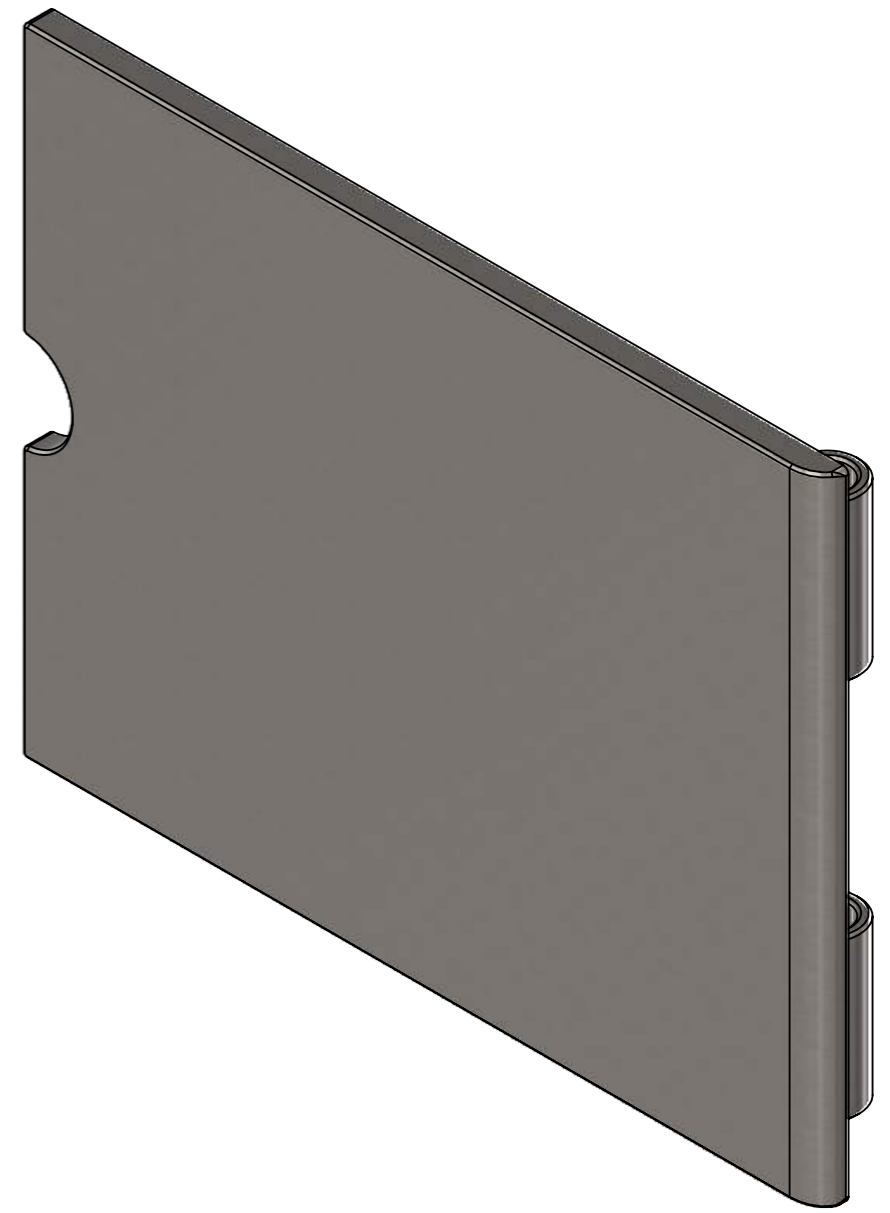
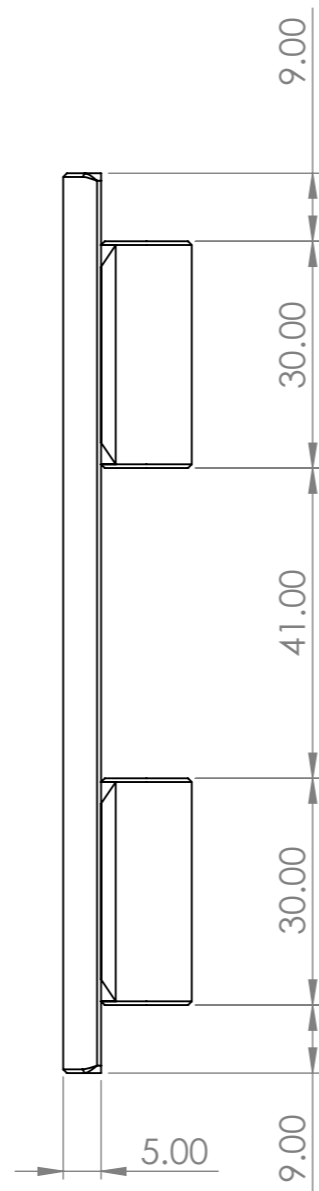
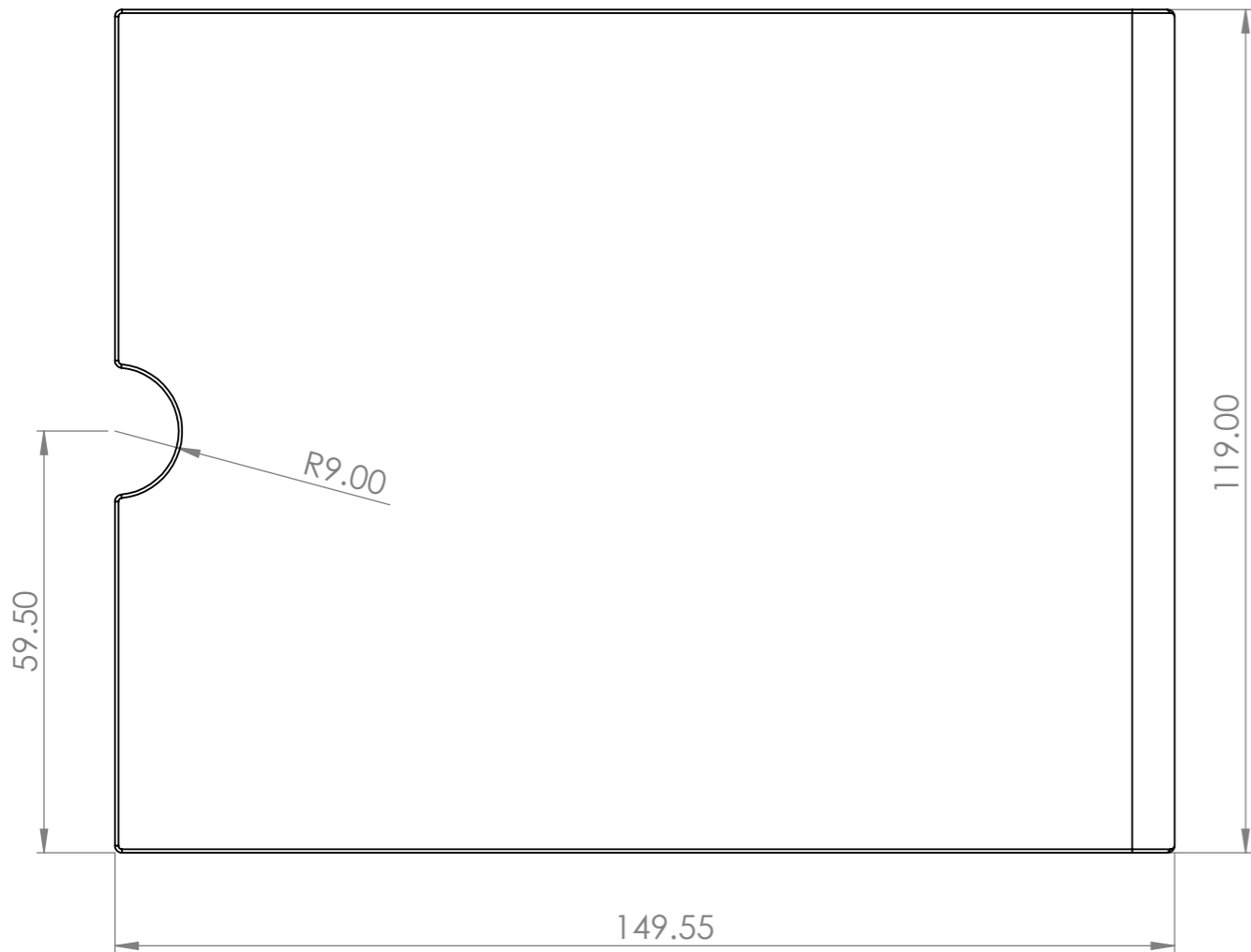
C

B

B

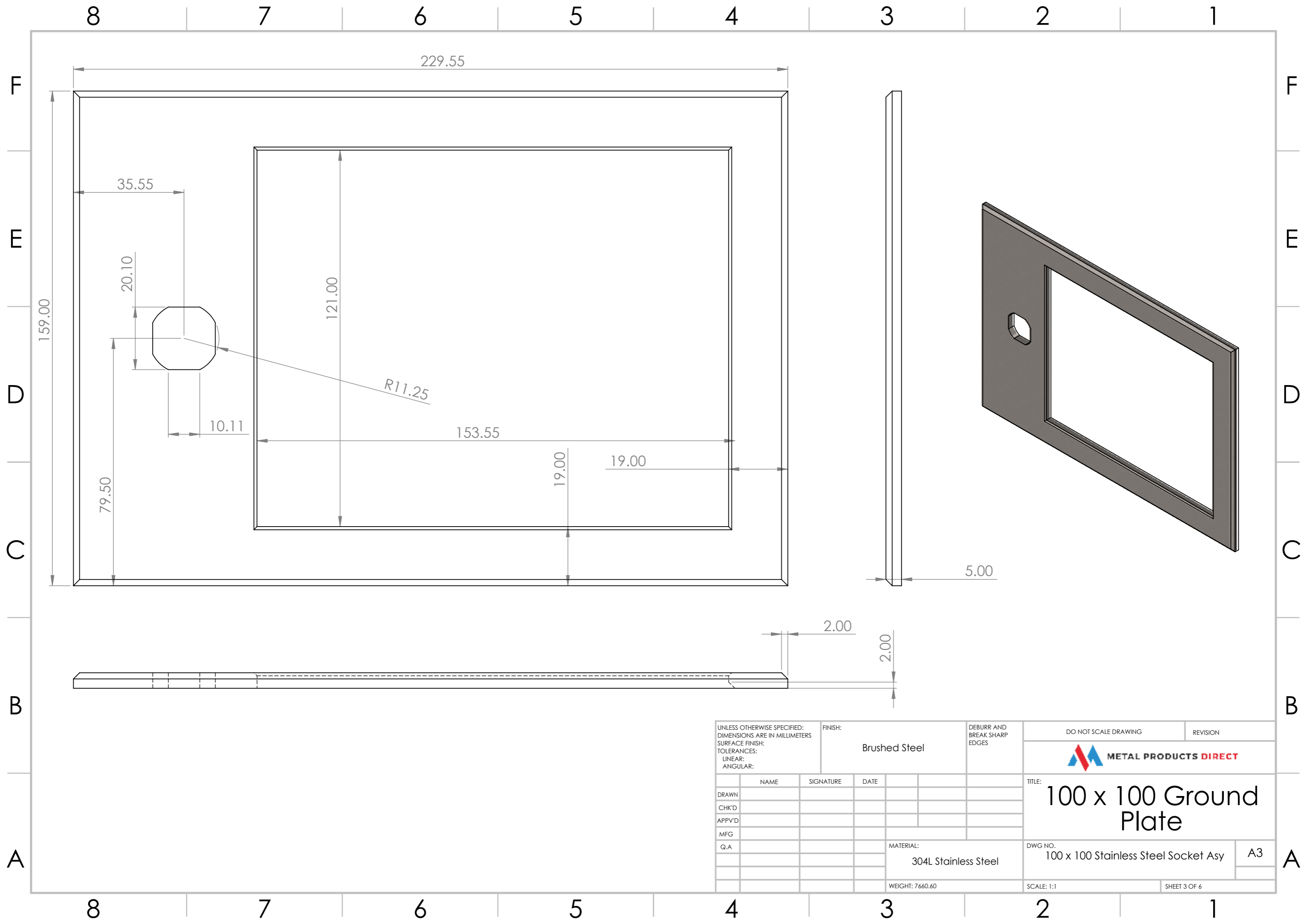
A


A

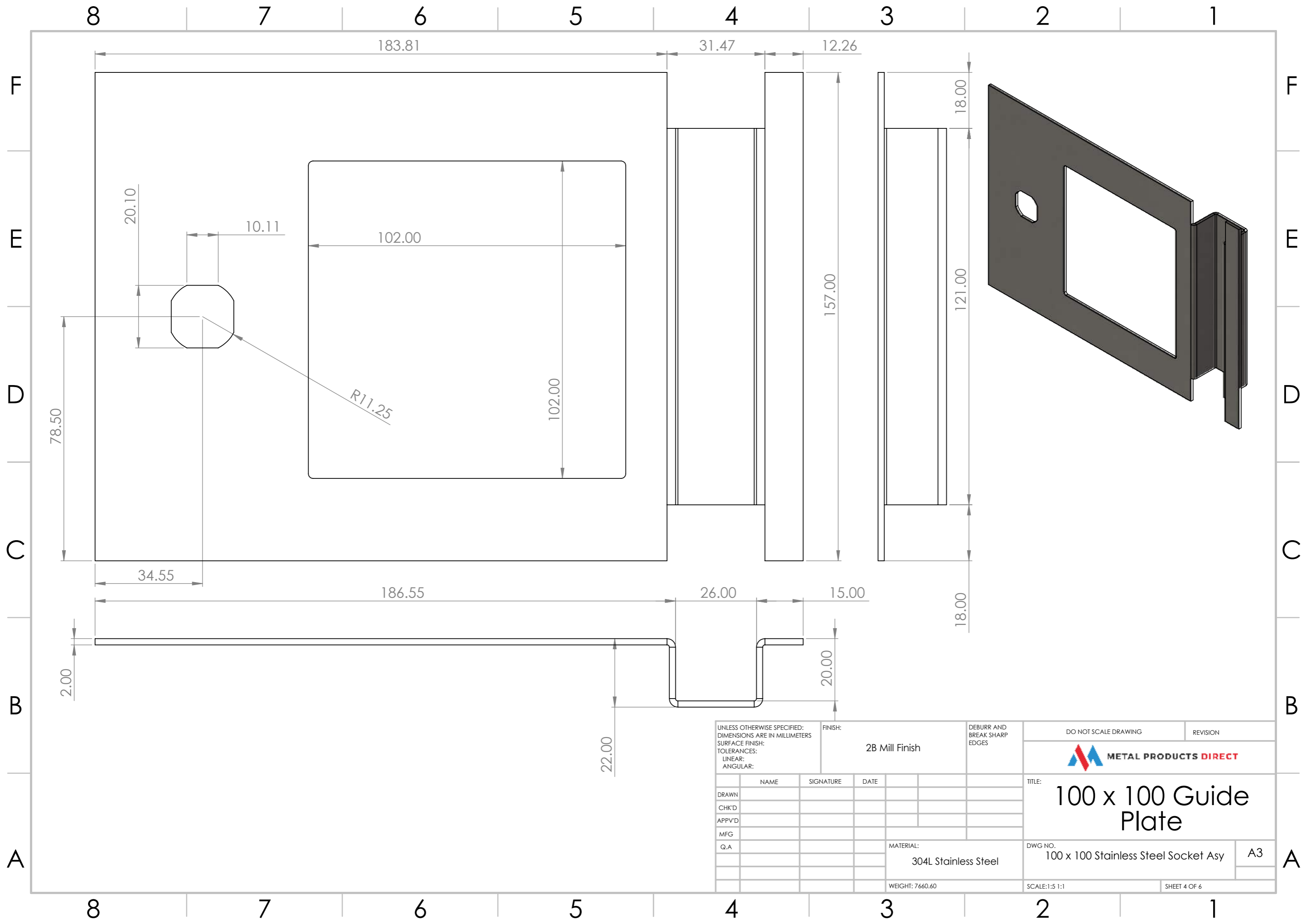


UNLESS OTHERWISE SPECIFIED: DIMENSIONS ARE IN MILLIMETERS		FINISH: Brushed Steel		DEBURR AND BREAK SHARP EDGES		DO NOT SCALE DRAWING		REVISION	
SURFACE FINISH:									
TOLERANCES:									
LINEAR:						TITLE: 100 x 100 Flip Lid			
ANGULAR:						DWG NO. 100 x 100 Stainless Steel Socket Asy		A3	
DRAWN		NAME		SIGNATURE		DATE			
CHK'D									
APPV'D									
MFG									
Q.A						MATERIAL: 304L Stainless Steel		SCALE: 1:1	
						WEIGHT: 7660.60		SHEET 2 OF 6	

8 7 6 5 4 3 2 1



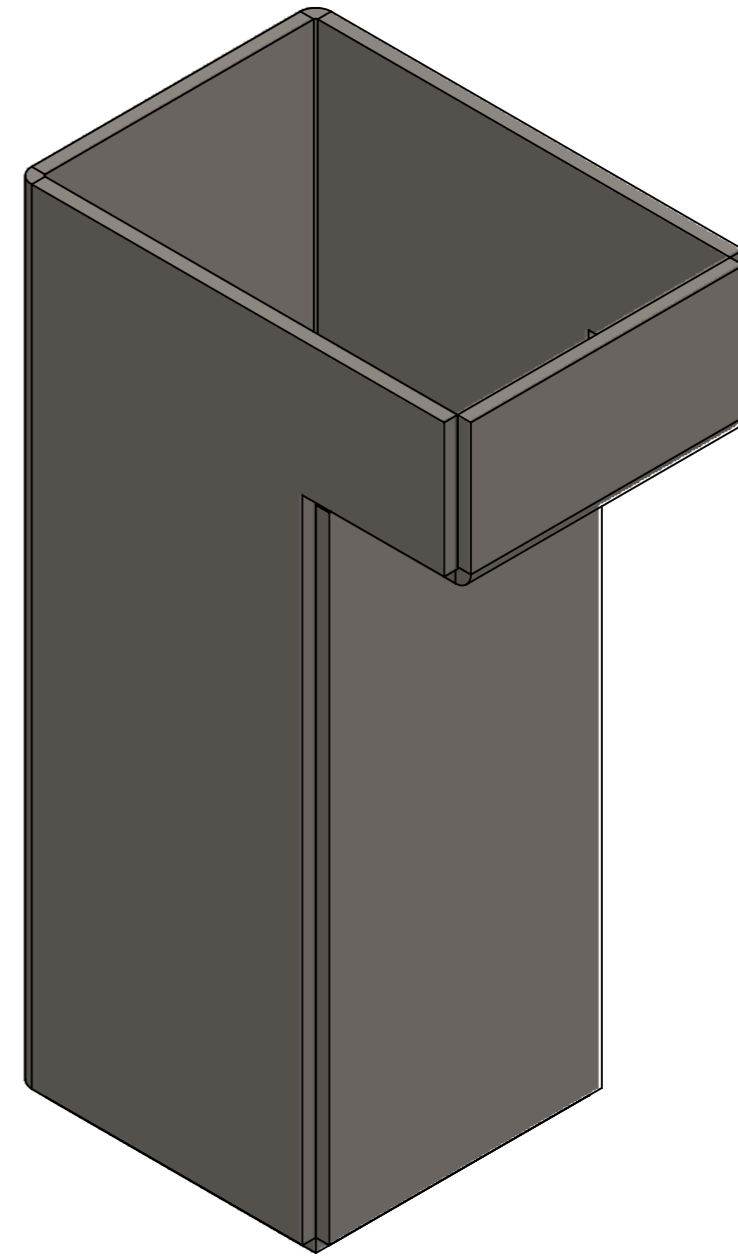
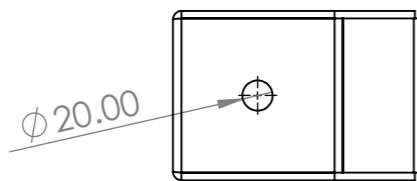
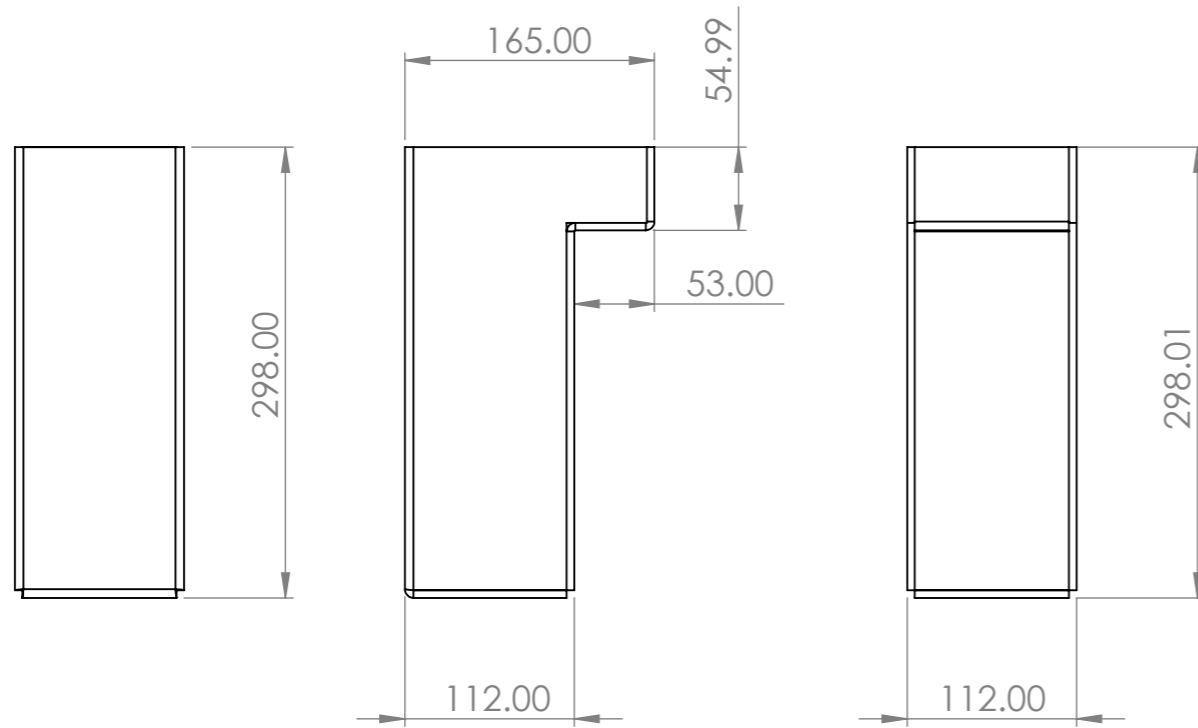
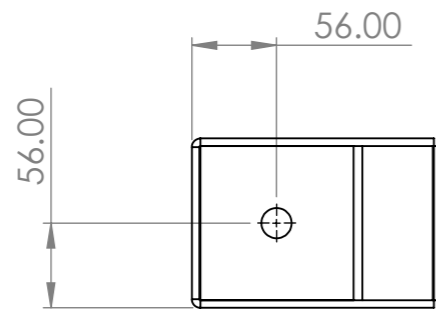
UNLESS OTHERWISE SPECIFIED: DIMENSIONS ARE IN MILLIMETERS SURFACE FINISH: TOLERANCES: LINEAR: ANGULAR:			FINISH: Brushed Steel		DEBURR AND BREAK SHARP EDGES		DO NOT SCALE DRAWING		REVISION			
												
							TITLE: 100 x 100 Ground Plate					
							DWG NO. 100 x 100 Stainless Steel Socket Asy				A3	
							MATERIAL: 304L Stainless Steel		SCALE: 1:1		SHEET 3 OF 6	
							WEIGHT: 7660.60					
DRAWN		NAME		SIGNATURE		DATE						
CHK'D												
APPV'D												
MFG												
Q.A												



8 7 6 5 4 3 2 1

F

F



D

D

C

C


B

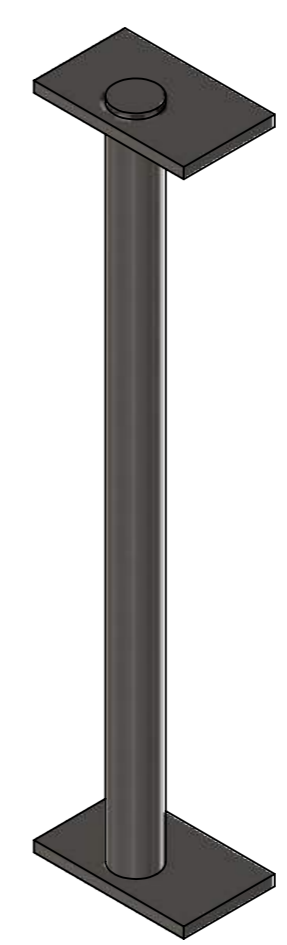
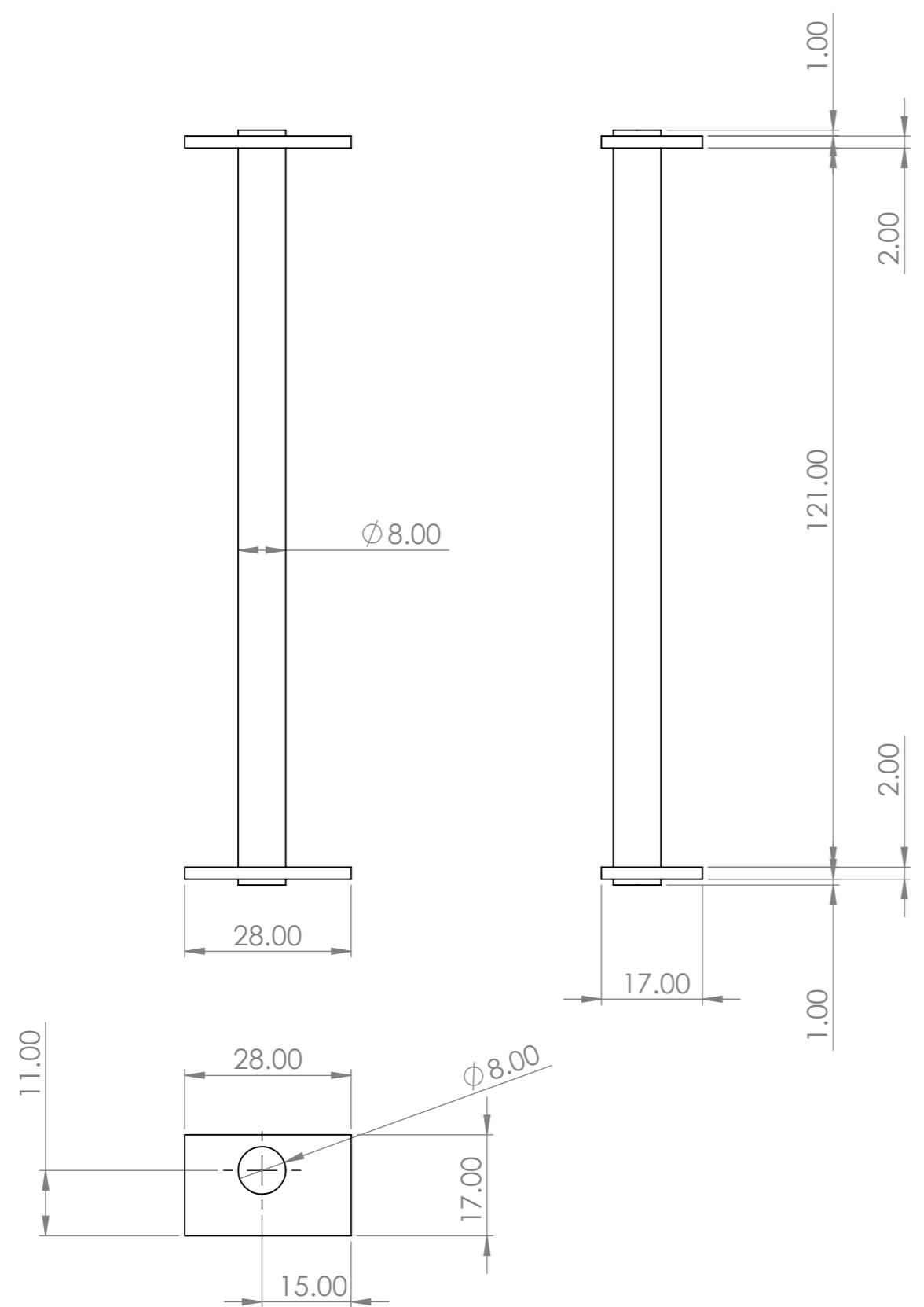
B


A

A

8 7 6 5 4 3 2 1

UNLESS OTHERWISE SPECIFIED: DIMENSIONS ARE IN MILLIMETERS SURFACE FINISH: TOLERANCES: LINEAR: ANGULAR:			FINISH: 2B Mill Finish		DEBURR AND BREAK SHARP EDGES		DO NOT SCALE DRAWING		REVISION		
											
							TITLE: 100 x 100 Socket				
DRAWN			NAME		SIGNATURE		DATE		DWG NO. 100 x 100 Stainless Steel Socket Asy		
CHK'D									A3		
APPV'D									SCALE:1:5		
MFG									SHEET 5 OF 6		
Q.A							MATERIAL: 304L Stainless Steel		WEIGHT: 7660.60		



UNLESS OTHERWISE SPECIFIED: DIMENSIONS ARE IN MILLIMETERS SURFACE FINISH: TOLERANCES: LINEAR: ANGULAR:				FINISH: 2B Mill Finish		DEBURR AND BREAK SHARP EDGES		DO NOT SCALE DRAWING		REVISION			
								 TITLE: 100 x 100 Hinge					
DRAWN				NAME		SIGNATURE						DATE	
CHK'D													
APPV'D													
MFG													
Q.A								MATERIAL: 304L Stainless Steel		DWG NO. 100 x 100 Stainless Steel Socket Asy			
								WEIGHT: 7660.60		SCALE: 1:1			
										SHEET 6 OF 6			
										A3			